

STANDARD SYSTEMS

1 Speed Trolley/Hoist Control

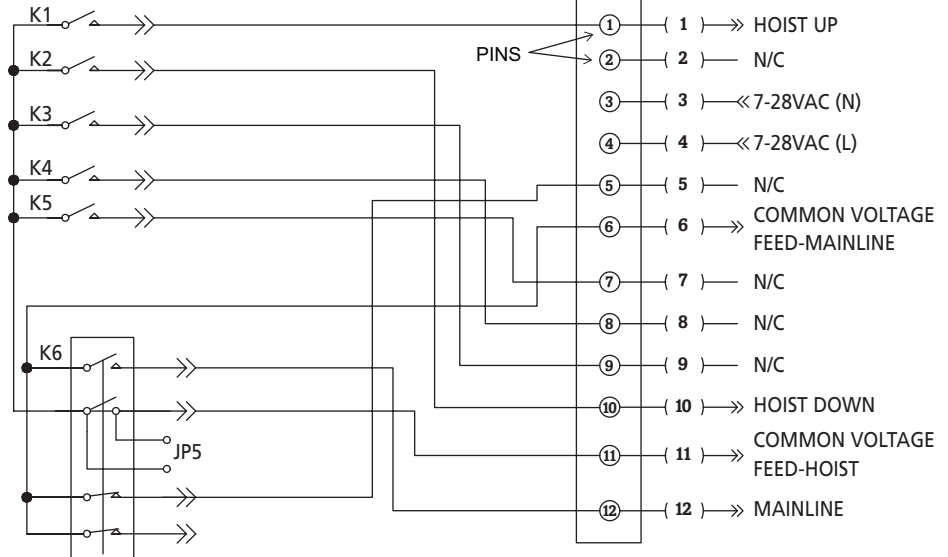
Smart LIFT SYSTEMS

- 1 Compact durable handheld
- 2 Single speed control for Trolley Hoist
- 3 Long battery life from standard alkaline batteries
- 4 Multiple LED diagnostics on handheld
- 5 Compact, well sealed base unit
- 6 100-240VAC control power
- 7 36" pigtail pre-wired with quick disconnect
- 8 Robust RF range
- 9 FCC / IC License free approval

Smart Lift 6



Smart Lift 4



Smart HANDHELD SPECIFICATIONS

Radio	906-924MHz – two way transceiver
Antenna	Internal
Batteries	3 AAA Alkaline (>100 hrs)
Integrity	IP65
Operating Temp	-4°F to 131°F (-20°C to 55°C)
Dimensions	5.4 x 2.7 x 1.12 inches (136.38 x 67.96 x 28.42 mm)
Weight	0.50 lbs (200 grams)

Smart BASE UNIT SPECIFICATIONS

Radio	906-924MHz – two way transceiver
Antenna	External
Power	100-240VAC
Integrity	IP65/7
Operating Temp	-4°F to 131°F (-20°C to 55°C)
Dimensions	5.24 x 4.69 x 1.42 inches (119 x 133 x 36 mm)
Relays	1 Form C 8A - 5 Form A 6A @ 250VAC

COMPLETE SYSTEM INCLUDES:

- (1) or (2) Handhelds
- Receiver with External antenna connection
- 36" outport wiring and quick disconnect
- Antenna
- Set of System Drawings and Operators manual
- (1) Year Warranty and Exceptional Customer Support