

## DIN-9H4R-2DI Base Unit

For Standard DIN Rail Mounting

### Features

- ✓ Spread Spectrum Technology
- ✓ 4 Form A Relay Contact Outputs
- ✓ 2 Discrete Inputs
- ✓ CAN J1939 Connectivity
- ✓ DIN Enclosure with screw terminal connections
- ✓ Diagnostic LED indicators
- ✓ Compact design



The SmaRT DIN-9H4R-2DI Base Unit for 24VDC (-24V option) or 120/240VAC (-120 option) industrial control systems features four Form A relays rated at 5A max each, and two discrete inputs. The SmaRT base unit enclosure allows it to be mounted either horizontally or vertically on a standard 35mm DIN rail.

SmaRT base units feature seamless association to a SmaRT hand-held unit without the need to open the case. Using Direct Sequence Spread Spectrum (DSSS) wireless technology at 900MHz, the base unit provides a robust direct-line-of-sight link with a SmaRT hand-held remote in congested radio environments.

### Specifications

#### Power

**V<sub>in</sub>** 18–32VDC (24V option)  
85–220VAC (120VAC option)

**Operating Power** 5W max.

#### Enclosure

**Dimensions** inch: 1.72W x 3.23H x 3.91D  
mm: 44.61W x 82.04H x 99.21D

**Weight** 4 oz. (113.4 grams)

**Durability** Durable UL94V-0 rated ABS plastic

#### Environment

**Operating Temp** -25°C to 60°C  
(-13°F to 140°F)

**Storage Temp** -40°C to 85°C  
(-40°F to 185°F)

**Humidity** 0 to 95% non-condensing

#### Radio

**Frequency** 906-924MHz

**RF Power** 10mW

**License** License Free

**Modulation** DSSS

**Antenna** External (RP-SMA)

#### Screw Terminals

**Size** M3

**Screwdriver** Flat or Phillips

#### LEDs

**CAN TX/RX** Green – Transmit  
Red – Receive

**In/Out** Green – Active Output  
Red – Active Input

**Health** Green/sec – OK  
Red or amber/sec – Fault

**TX/RX** Green – Transmit  
Red – Receive

**Power** Amber – OK  
Red/Green – Fault

#### Outputs

**Four Relays** Form A

**Form A Rating** 2A max @ 250VAC/30VDC  
inductive load.  
5A max resistive load.

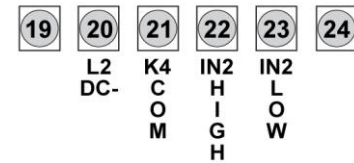
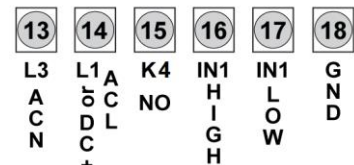
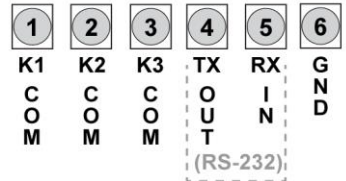
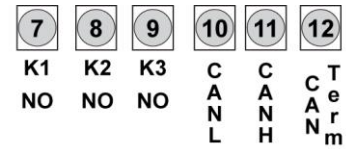
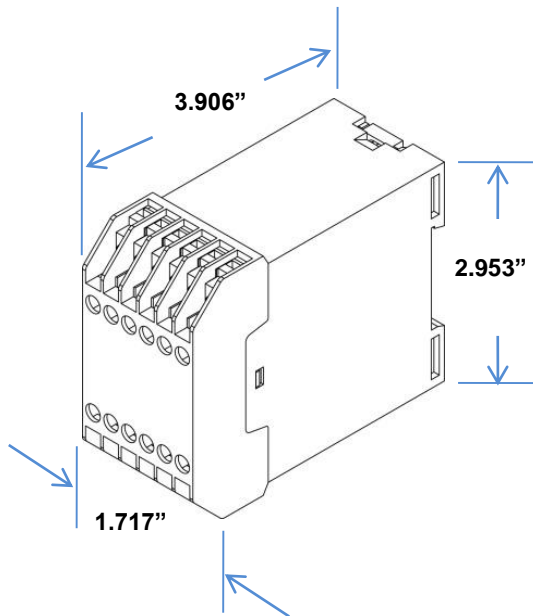
**Total** 10A max.

#### Inputs

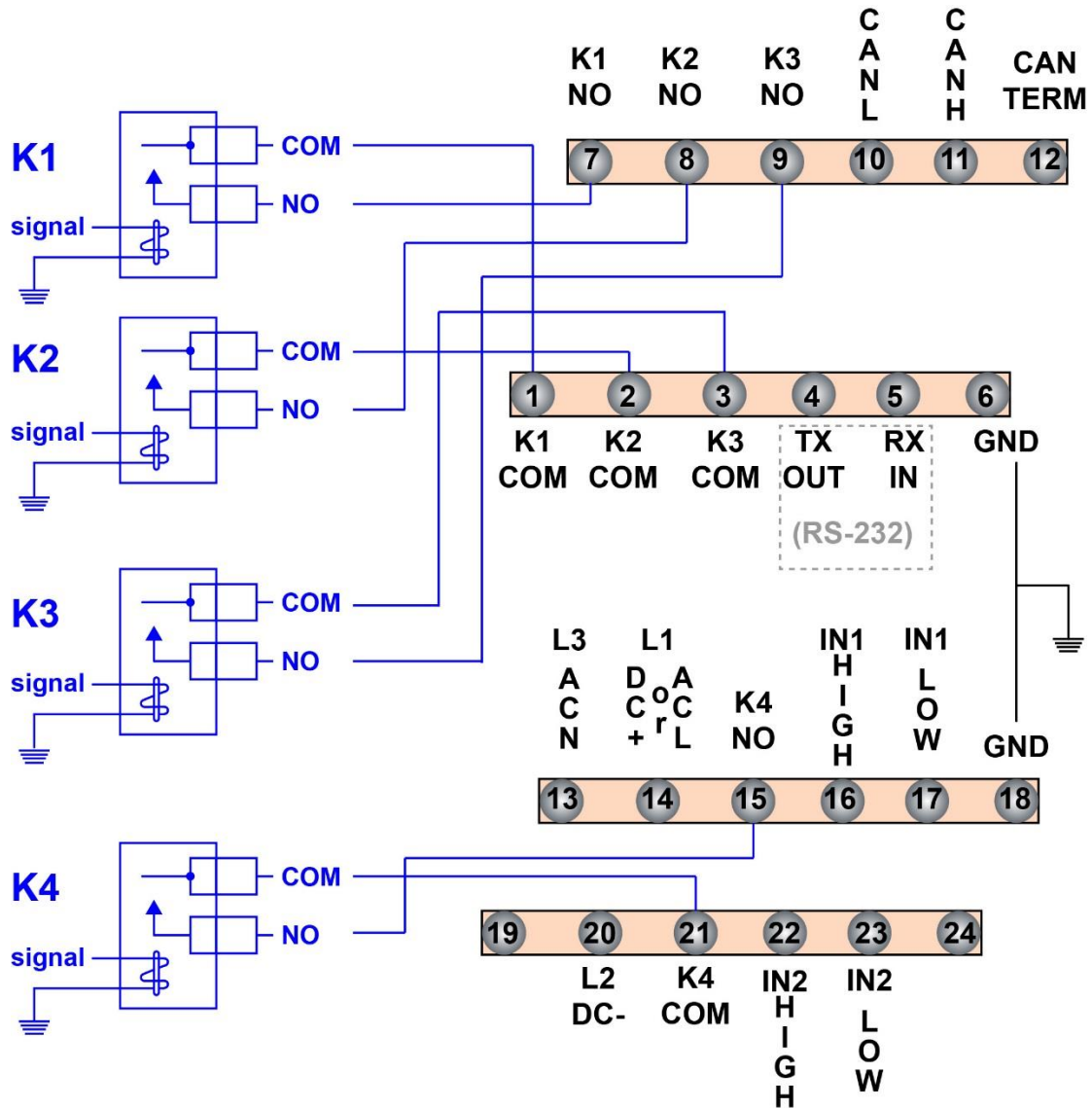
**Two** 2-terminal isolated  
18-32 VDC (24V option)  
85-220VAC (120 option)

## Terminal Wiring

Terminal	Description	Terminal	Description
1	K1 Common	13	L3 (AC N)
2	K2 Common	14	L1 (AC L or DC+)
3	K3 Common	15	K4 Normally Open
4	TX Out (RS-232)	16	Input 1 High
5	RX In (RS-232)	17	Input 1 Low
6	Gnd	18	Gnd
7	K1 Normally Open	19	No Connection
8	K2 Normally Open	20	L2 (DC-)
9	K3 Normally Open	21	K4 Common
10	CANL	22	Input 2 High
11	CANH	23	Input 2 Low
12	CAN-Term	24	No Connection



## Terminal Wiring Cont.



## Options

Model	Freq.	RF Power	Outputs	Output Type	Inputs	Input Range	Input Voltage	Antenna Type
DIN-9H4R-2DI-EXT-24V	900MHz	10mW	4	Form A	2	18-32VDC	18-32VDC	External
DIN-9H4R-2DI-EXT-120	900MHz	10mW	4	Form A	2	85-220VAC	85-220VAC	External

✓**Note:** BU-9H4R-EXT units are internally terminated at 4.3kΩ. Termination can be removed at the factory.