

## Warrior 32-MCB (Mini Console Box)

### Features

- ✓ Three 2-Step Single Axis Joysticks
- ✓ Two Toggles Switches
- ✓ 900MHz @ 100mW Operation
- ✓ Push/Pull Professional Machine Stop
- ✓ Four System Status/Diagnostic LEDs
- ✓ Operates Using Four AA Alkaline Batteries
- ✓ Mounting by Custom Shoulder Harness



The Warrior 32-MCB Mini Console Box is designed for control of typical 2-speed overhead bridge cranes. The unit provides three two-step joysticks for crane motions as well as toggle switches for A/B select and AUX functions. Housed in an extremely durable, sealed glass-filled nylon enclosure, the Warrior 32-MCB is ready for duty in harsh environments including outdoor applications. Warrior systems operate in the 900MHz FCC License Free radio band. Utilizing Cervis' unique 9X, 100mW output power channel-hopping algorithm, the Warrior systems manages radio traffic with both power and avoidance techniques. This XCB radio is bi-directional, where each message sent by the transmitter is acknowledged back with a message from the receiver. Transmitter diagnostic LEDs provide radio integrity, battery life, A, and B select feedback to the operator.

The Warrior 32-MCB is an industry first, an economical solution for traditional pre-engineered crane control applications. See the specification sheet for the Warrior 32 receiver for control interface schematic.

### Specifications





#### Power

<b>Operating Voltage</b>	1.6V to 3.2VDC
<b>Batteries</b>	Four (4) AA Alkaline
<b>Low V Warning</b>	2.1V
<b>Auto-Shutdown</b>	2.0V
<b>Inactivity Shutdown</b>	4-Minutes Standard (Programmable)

#### Environment

<b>Operating Temp</b>	-20 to +70°C (-4° to +158°F)*
<b>Storage Temp</b>	-40 to +55°C (-40° to 131°F)
<b>Humidity</b>	0 to 95% Non-Condensing

#### Indicators (Red LEDs)

	TX/RX (Transmit/Receive)
	BATT (Battery Status)
	A Selection
	B Selection

\*Tested at 70°C for four hours

#### Control Switches

<b>Joysticks</b>	Three 2-step single axis (digital)
<b>Toggles</b>	3-position momentary or maintained
<b>M-Stop</b>	Professional pull-up/push-down
<b>Pushbutton</b>	Activation Button (green)

#### Enclosure

<b>Material</b>	Glass filled nylon
<b>Faceplate</b>	Acrylic
<b>Hardware</b>	Stainless steel
<b>Dimensions</b>	inch: 7.09 x 4.15 x 4.61 mm: 180.03 x 105.44 x 117.04
<b>Total Weight</b>	≈2.50 lbs. (1.13kg)

#### Radio

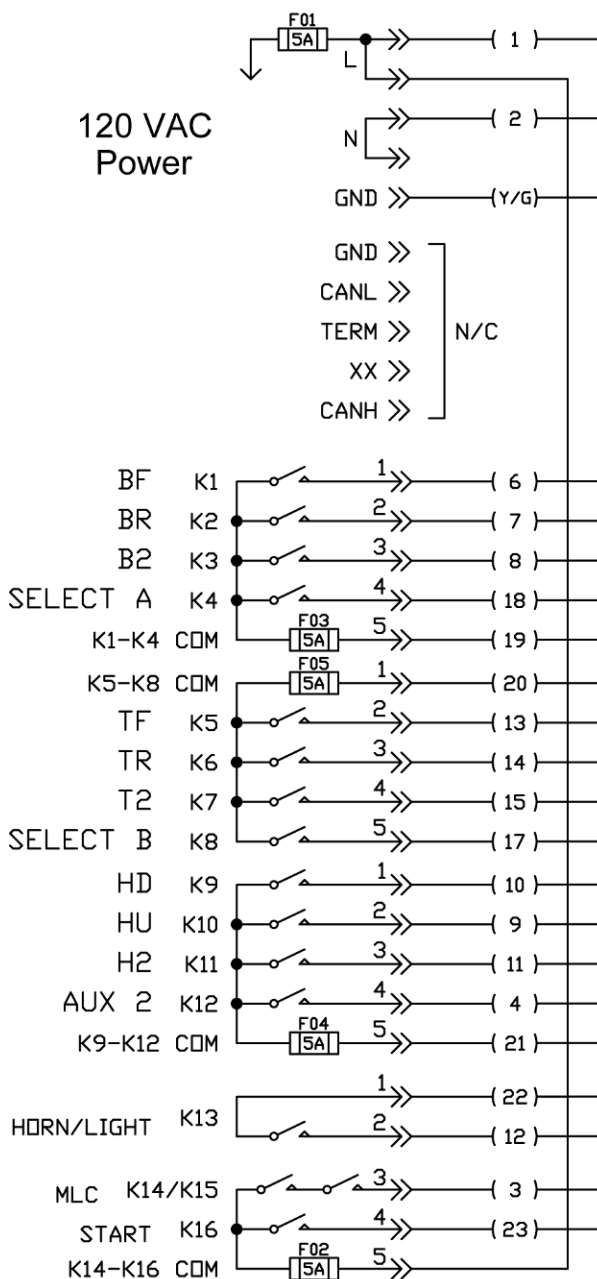
<b>Frequency</b>	904MHz to 926MHz @ 100mW
<b>License</b>	FCC Part 15 license free
<b>Modulation</b>	Direct-Sequence-Spread-Spectrum (DSSS), channel hopping
<b>Antenna</b>	Internal



## Warrior 32-MCB Product Listing

Model	Part #	Frequency	RF Power	Mount	Activation
Warrior 32-MCB	MCB-9XL03JS2S	900MHz	100mW	Shoulder Harness	Power Button

### Warrior MU Receiver Schematic



### MCB Top Switch Layout

