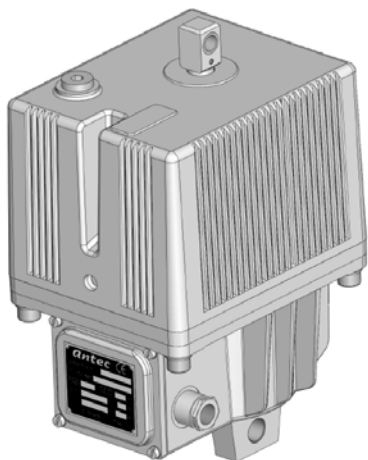


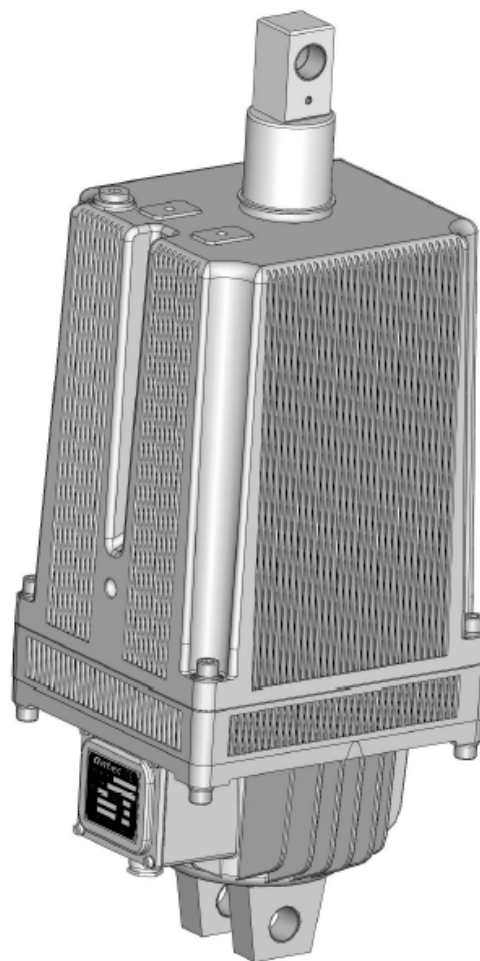
# ELECTROHYDRAULIC THRUSTORS TH

## Setup and regulation of Thrustors.

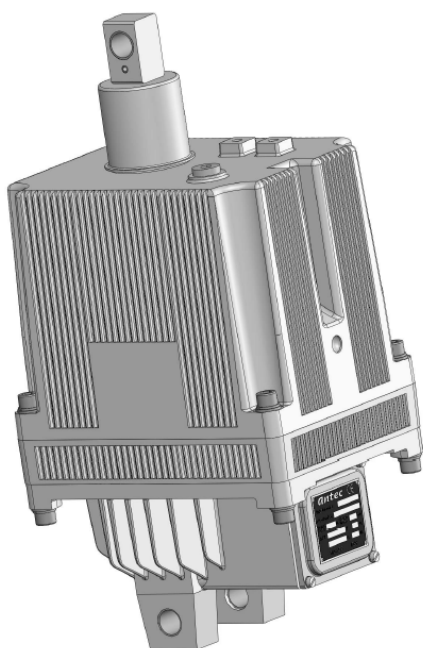
TH-I



TH-III



TH-II



**TÜV** TÜV Rheinland Group

DIN EN – ISO 9001:2000  
CERT. No. 01 100 048045

<b>Technical data sheet number:</b>	<b>BC.TDS.00006I</b>
<b>Created by:</b>	<b>Unitzer Bilbao</b>
<b>Reviewed by:</b>	<b>Sales Department</b>
<b>Date:</b>	<b>13-05-2011</b>
<b>Rev.1. Date</b>	<b>-</b>



APLICACION NUEVAS TECNOLOGIAS, ANTEC S.A.

**Aplicación Nuevas Tecnologías, ANTEC S.A.**

**Ramón y Cajal, 74 – 48.920 Portugalete (Bizkaia)-Spain.**

**Tel.: 34.94.496.50.11 Fax: 34.94.496.53.37**

**Alter Sales Service: sales@antecsa.com**

**Page 1-3**

[www.antecsa.com](http://www.antecsa.com)

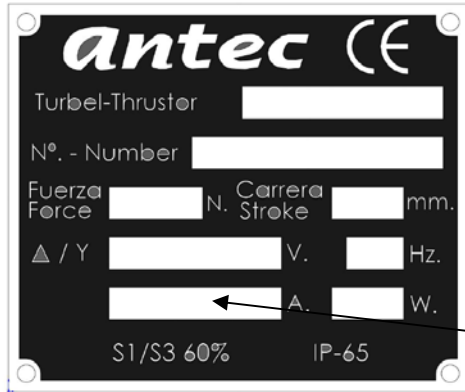


# ELECTROHYDRAULIC THRUSTORS TH

## Setup and regulation of Thrustors.

The thrustors, except when are equipped with a descent valve, have not to be regulated.

The only thing that should make the operator is to connect thruster to an electrical connection with its voltage as is indicated on the characteristic plate.



Nominal voltage with delta and star connection.

How to carry out the delta and star connections:

Delta connection ( $\Delta$ )



Star connection ( $\star$ )



In the case of having a Thruster with descent valve (VD), regulation and operation of this will be as indicated:

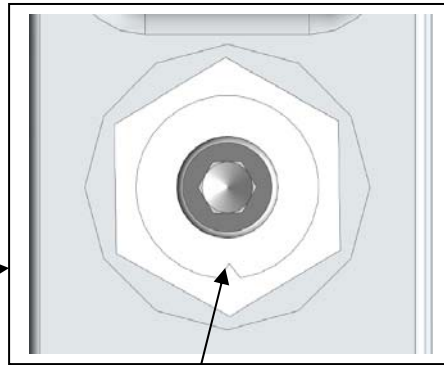
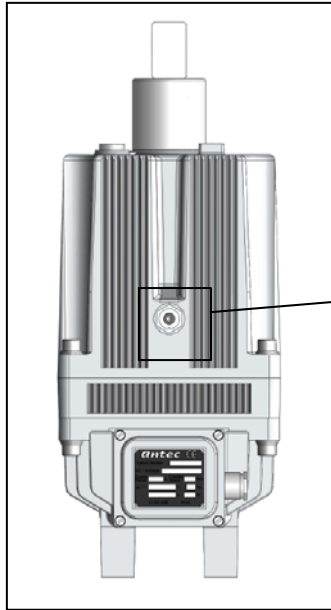
By manipulating this valve, reducing or increasing the internal circulation and oil flow, the descent time of the thruster's piston rod can be controlled.

The oil flow is totally closed and the movement of the piston rod is minimal when the marking on the descent valve is as indicated in the following figure.



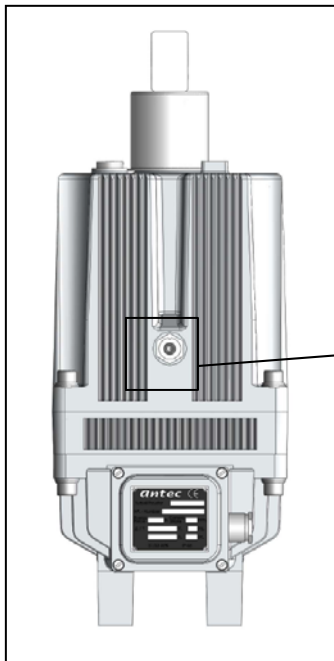
# ELECTROHYDRAULIC THRUSTORS TH

## Setup and regulation of Thrustors.

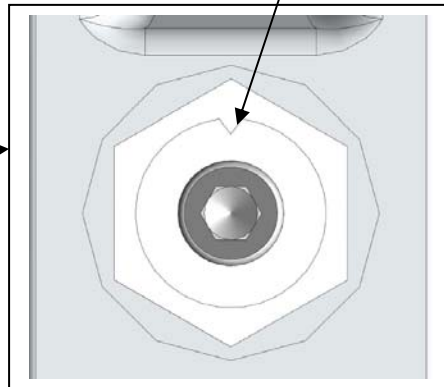


Descent valve marking at bottom position. Indicates totally closed valve.

The oil flow is totally open and the movement of the piston rod is at maximum (it moves as if there was no valve) when the marking on the descent valve is as indicated in the following figure.



Descent valve marking at top position. Indicates totally open valve.



The intermediate positions of the valve vary the descent time depending on what the customer wants.