

ELECTRO-HYDRAULIC DISC BRAKES

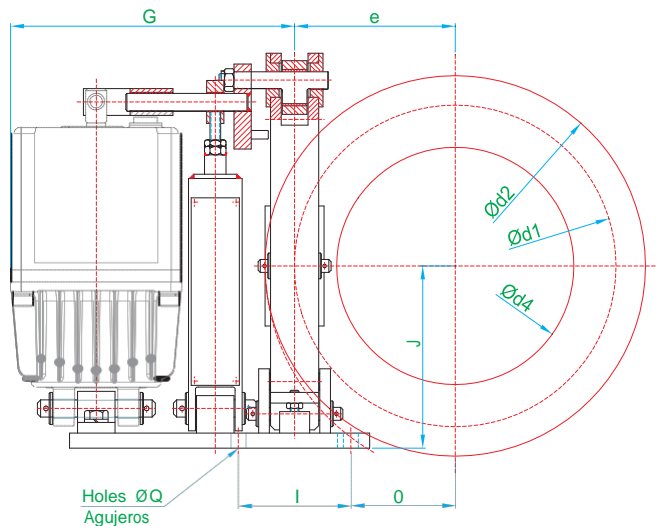
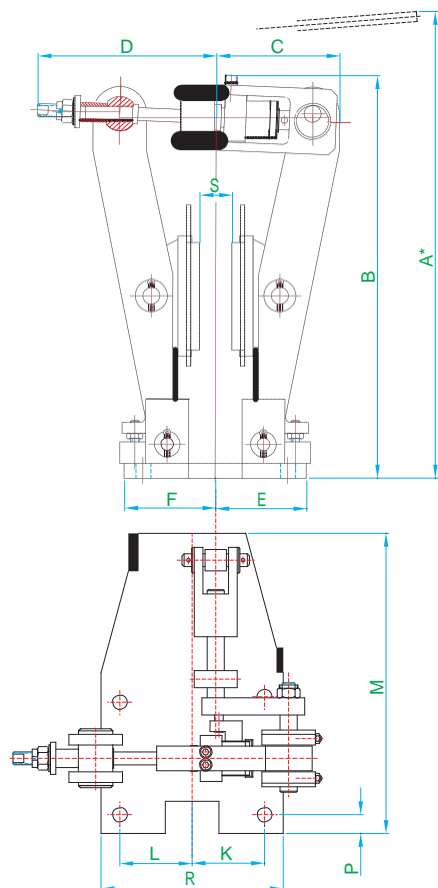
In Partnership with



APLICACIÓN NUEVAS TECNOLOGÍAS ANTEC, S.A.



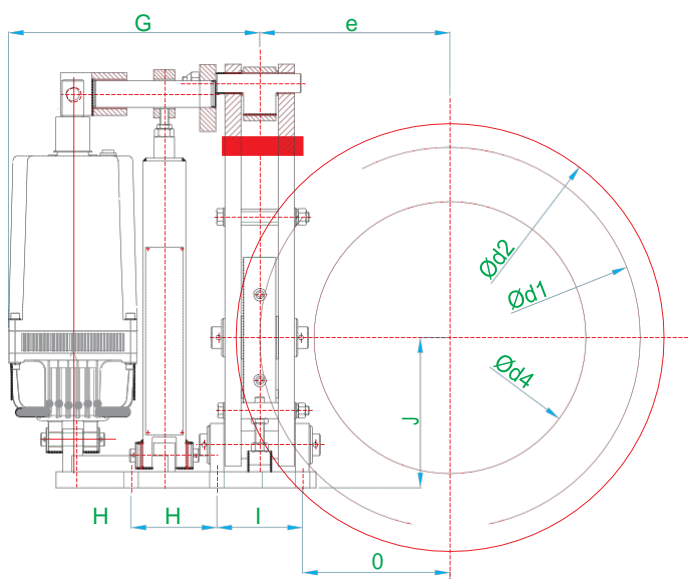
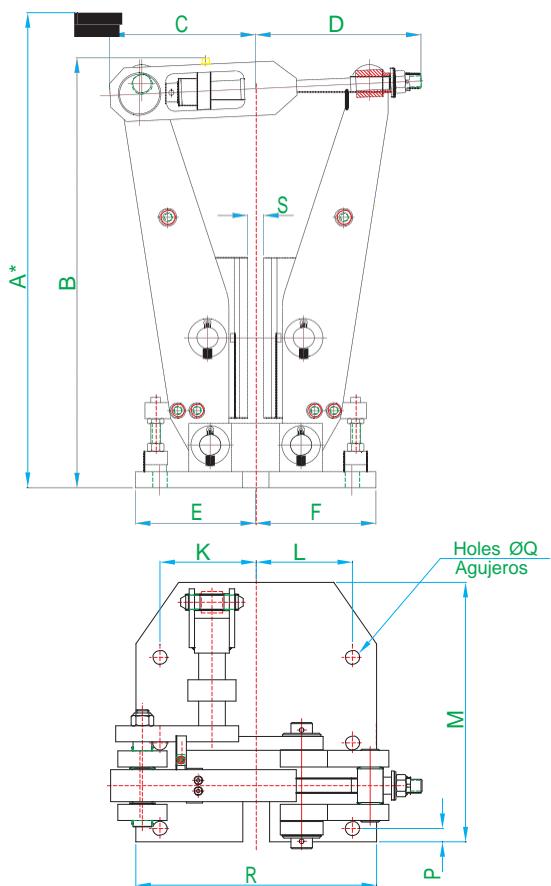
> Dimensions and characteristics / Dimensiones y características



FPT-1

d1 = Theoretical friction diameter (mm).
 d2 = Outside diameter (mm).
 d4 = Max. allowable coupling or hub diameter (mm).
 A* = Minimum distance required for manual release lever.

d1 = Diámetro de fricción teórico (mm).
 d2 = Diámetro exterior (mm).
 d4 = Diámetro máx. de acoplamiento o moyú (mm).
 A* = Distancia mínima para el desbloqueo manual.



FBT-21 / FBT-34

d1 = Theoretical friction diameter (mm).
 d2 = Outside diameter (mm).
 d4 = Max. allowable coupling or hub diameter (mm).
 A* = Minimum distance required for manual release lever.

d1 = Diámetro de fricción teórico (mm).
 d2 = Diámetro exterior (mm).
 d4 = Diámetro máx. de acoplamiento o moyú (mm).
 A* = Distancia mínima para el desbloqueo manual.

Some models form may vary slightly from the drawing.

> General Description

The FPT and FBT brakes are spring applied, power release disc brakes. Brake release is achieved by TURBEL. The TURBEL is a three-phase AC electro-hydraulic thruster.

Brake shoes carry asbestos free linings. The main shafts are stainless steel with self lubricated bushings. Brakes include scale for torque adjustment.

> Options

- 1 Automatic lining wear adjustment (RA).
- 2 Open brake swith indicator (CSA).
- 3 Lining wear indicator (DD).
- 4 Hand release lever (DM).
- 5 Descent valve (VD).
- 6 Special Painting (PE).
- 7 Hydraulic or pneumatic release.
- 8 Thruster with ATEX certificate.

FPT-1

A*	B	C	D	E	F	G	I	K	L	M	P	Q	R	WEIGHT PESO
400	380	120	170	85	85	265	105	67,5	67,5	280	17,5	14	170	28 Kg
Brake Disc Information / Información Disco							Thruster Type (Braketorque max. in Nm $\mu=0,4$) / Tipo de TURBEL (Pares máx. en Nm para $\mu=0,4$)							
d2	S	d1	d4	e	J	O	TH-I-256			Clamping force N TH-I-256 = 3300 N				
200	30	145	55	72,5	170	20	190							
240	30	185	95	92,5	170	40	240							
280	30	225	135	112,5	170	60	295							
315	30	260	170	130	170	77,5	340							
355	30	300	210	150	170	97,5	395							
400	30	345	255	172,5	170	120	455							

FBT-21

A*	B	C	D	E	F	G	H	I	K	L	M	P	Q	R	WEIGHT PESO
800	565	187	220	170	170	342	130	130	145	145	365	25	22	340	125 Kg
Brake Disc Information / Información Disco							Thruster Type (Braketorque max. in Nm $\mu=0,4$) / Tipo de TURBEL (Pares máx. en Nm para $\mu=0,4$)								
d2	S	d1	d4	e	J	O	TH-I-356	TH-II-506	TH-II-806	Clamping force Nm TH-I-356 = 5600 Nm TH-II-506 = 7800 Nm TH-II-806 = 13300 Nm					
355	30	285	170	142,5	230	77,5	630	885	1500						
400	30	330	210	165	230	100	730	1020	1750						
450	30	380	260	190	230	125	845	1180	2015						
500	30	430	310	215	230	150	955	1335	2280						
560	30	490	370	245	230	180	1090	1525	2600						
630	30	560	440	280	230	215	1245	1740	2970						

FBT-34

A*	B	C	D	E	F	G	H	I	K	L	M	P	Q	R	WEIGHT PESO
1130	830	278	314	225	225	475	160	160	180	180	485	25	27	450	200 Kg
Brake Disc Information / Información Disco							Thruster Type (Braketorque max. in Nm $\mu=0,4$) / Tipo de TURBEL (Pares máx. en Nm para $\mu=0,4$)								
d2	S	d1	d4	e	J	O	TH-III-1306	TH-III-2006	TH-III-3006	Clamping force Nm TH-III-1306 = 20700 Nm TH-III-2006 = 31500 Nm TH-III-3006 = 46000 Nm					
450	30	360	170	175	280	95	2980	4575	6980						
500	30	410	220	200	280	120	3390	5200	7950						
560	30	470	280	230	280	150	3890	5975	9120						
630	30	540	350	265	280	185	4470	6860	10450						
710	30	620	430	305	280	225	5130	7880	12000						
800	30	710	520	350	280	270	5875	9030	13700						
900	30	810	620	400	280	320	---	---	15700						
1000	30	910	720	450	280	370	---	---	17600						

Dimension values are in mm. We reserve the right to modify measures or construction.



US Sales:

Cervis Inc.

170 Thorn Hill Rd

Warrendale PA 15086

412-741-9000 Phone

412-741-9001 Fax

www.cervisinc.com

industrialsales@cervis.net



Aplicación Nuevas Tecnologías Antec, S. A.

Ramón y Cajal, 74

48920 Portugalete

Vizcaya - Spain

Tel.: +34 944 965 011

Fax: +34 944 965 337

sales@antecsa.com

www.antecsa.com

Antec Braking Systems (Tianjin) Co., Ltd

No.4, Longhuai Road, Shuangjiang Dao South

Beichen Business Development Area

300400 Tianjin, CHINA

Tel.: +86 22 26983272

Fax: +86 22 26983273

info@antec-bs.com

www.antec-bs.com