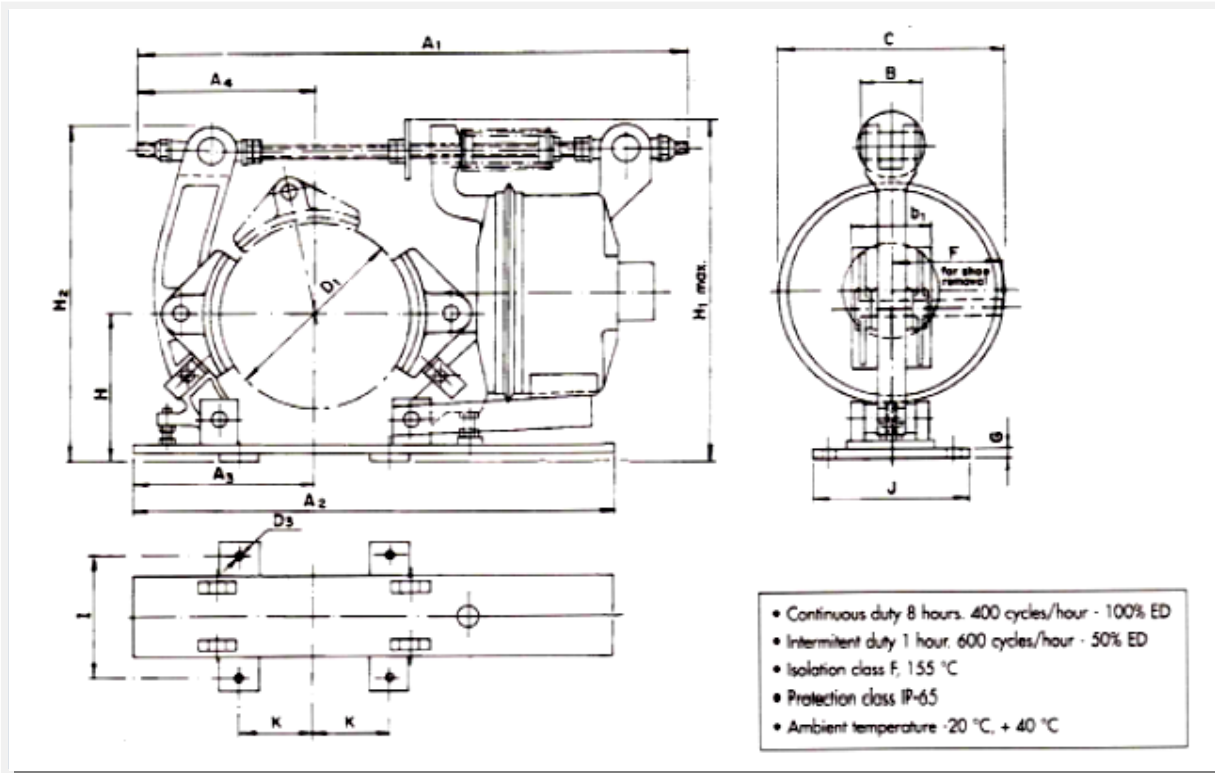


ANTEC TYPE LAM DC SHUNT BRAKE

DIMENSIONS ACCORDING TO AISE NO. 11



BRAKE SIZE	TYPE LAM DC SHUNT TORQUE RATINGS		NET WEIGHT *	DRUM WIDTH	SHOE WIDTH	BASE - C/L SHAFT	OVERALL LENGTH	OVERALL HEIGHT	OVERALL WIDTH
	[LBS. FT.]	[LBS. FT.]							
D1	1 HOUR	8 HOUR				H	A1	H1	C
8 INCH	103	77	110	3.25	2.75	7.00	21.65	15.27	9.25
10 INCH	206	154	154	3.75	3.54	8.38	24.01	17.32	11.02
13 INCH	560	405	298	5.75	5.50	9.88	30.51	24.52	14.37
16 INCH	1017	767	452	6.75	6.50	12.13	35.03	28.93	15.55
19 INCH	2043	1534	507	8.75	8.50	13.22	40.35	31.81	17.32
23 INCH	4086	3060	805	11.25	10.98	15.86	45.67	37.48	18.90
30 INCH	9182	6896	1609	14.25	14.02	20.75	57.67	44.09	21.65

* BRAKE SHOES ARE MANUFACTURED IN CAST ALUMINIUM