

Warrior 42-MCB (Mini Console Box)

Features

- ✓ Four 2-Step Single Axis Joysticks
- ✓ Two Toggles Switches
- ✓ 900MHz @ 100mW Operation
- ✓ Push/Pull Professional Machine Stop
- ✓ Four System Status/Diagnostic LEDs
- ✓ Operates Using Four AA Alkaline Batteries
- ✓ Mounting by Custom Shoulder Harness



The Warrior 42-MCB Mini Console Box is designed for control of typical 2-speed overhead bridge cranes. The unit provides four two-step joysticks for crane motions as well as toggle switches AUX functions. Housed in an extremely durable, sealed glass-filled nylon enclosure, the Warrior 42-MCB is ready for duty in harsh environments including outdoor applications. Warrior systems operate in the 900MHz FCC License Free radio band. Utilizing Cervis' unique 9X, 100mW output power channel-hopping algorithm, the Warrior systems manages radio traffic with both power and avoidance techniques. This XCB radio is bi-directional, where each message sent by the transmitter is acknowledged back with a message from the receiver. Transmitter diagnostic LEDs provide radio integrity, battery life, A, and B select feedback to the operator.

The Warrior 42-MCB is an industry first, economical solution for traditional pre-engineered crane control applications. See specification sheet for the Warrior 32 receiver for control interface schematic.

Specifications





Power

Operating Voltage	1.6V to 3.2VDC
Batteries	Four (4) AA Alkaline
Low V Warning	2.1V
Auto-Shutdown	2.0V
Inactivity Shutdown	4-Minutes Standard (Programmable)

Environment

Operating Temp	-20 to +70°C (-4° to +158°F)*
Storage Temp	-40 to +55°C (-40° to 131°F)
Humidity	0 to 95% Non-Condensing

Indicators (Red LEDs)

	TX/RX (Transmit/Receive)
	BATT (Battery Status)
	A Selection
	B Selection

Control Switches

Joysticks	Four 2-step single axis (digital)
Toggles	3-position momentary or maintained
M-Stop	Professional pull-up/push-down
Pushbutton	Activation Button (green)

Enclosure

Material	Glass filled nylon
Faceplate	Acrylic
Hardware	Stainless steel
Dimensions	inch: 7.09 x 4.15 x 4.61 mm: 180.03 x 105.44 x 117.04
Total Weight	≈2.50 lbs. (1.13kg)

Radio

Frequency	904MHz to 926MHz @ 100mW
License	FCC Part 15 license free
Modulation	Direct-Sequence-Spread-Spectrum (DSSS), channel hopping
Antenna	Internal

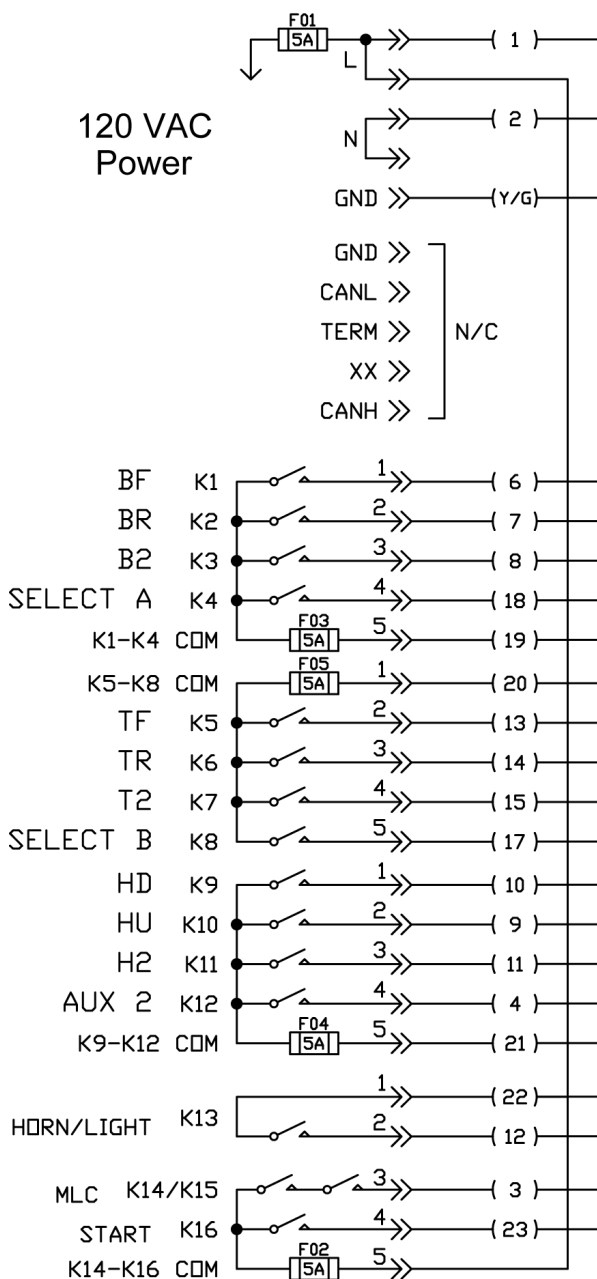


*Tested at 70°C for four hours

Warrior 42-MCB Product Listing

Model	Part #	Frequency	RF Power	Mount	Activation
Warrior 32-MCB	MCB-9XL04JS2S	900MHz	100mW	Shoulder Harness	Power Button

Warrior MU Receiver Schematic



MCB Top Switch Layout

