

Warrior MCB 4-JS (4-Joystick Mini Console Box)

Features

- ✓ Four 2-Step Single Axis Joysticks
- ✓ Two Toggles Switches
- ✓ 900MHz @ 100mW Operation
- ✓ Push/Pull Professional Machine Stop
- ✓ Four System Status/Diagnostic LEDs
- ✓ Operates Using Four AA Alkaline Batteries
- ✓ Mounting by Custom Shoulder Harness



The Warrior MCB Mini Console Box is designed for control of typical 2-speed overhead bridge cranes. The unit provides four two-step joysticks for crane motions as well as toggle switches AUX functions. Housed in an extremely durable, sealed glass-filled nylon enclosure, the Warrior MCB is ready for duty in harsh environments including outdoor applications. Warrior systems operate in the 900MHz FCC License Free radio band. Utilizing Cervis' unique 9X, 100mW output power channel-hopping algorithm, the Warrior systems manages radio traffic with both power and avoidance techniques. This 9X radio is bi-directional, where each message sent by the transmitter is acknowledged back with a message from the receiver. Transmitter diagnostic LEDs provide radio integrity, battery life, A, and B select feedback to the operator.

The Warrior MCB is an industry first, economical solution for traditional pre-engineered crane control applications. See specification sheet for the Warrior receiver for control interface schematic.

Specifications





Power

Operating Voltage	2.1V to 3.0VDC
Batteries	Four (4) AA Alkaline
Low V Warning	2.2V
Auto-Shutdown	2.0V
Inactivity Shutdown	4-Minutes Standard (Programmable)

Environment

Operating Temp	-40 to +70°C (-40° to +158°F)*
Storage Temp	-40 to +85°C (-40° to 185°F)
Humidity	0 to 95% Non-Condensing

Indicators (Red LEDs)

	TX/RX	(Transmit/Receive)
	BATT	(Battery Status)
	A Selection	
	B Selection	

Control Switches

Joysticks	Four 2-step single axis (digital)
Toggles	3-position momentary or maintained
M-Stop	Professional pull-up/push-down
Pushbutton	Activation Button (green)

Enclosure

Material	Glass filled nylon
Faceplate	Acrylic
Hardware	Stainless steel
Dimensions	inch: 7.09 x 4.15 x 4.61 mm: 180.03 x 105.44 x 117.04
Total Weight	≈2.50 lbs. (1.13kg)

Radio

Frequency	904MHz to 926MHz @ 100mW
License	FCC Part 15 license free
Modulation	Direct-Sequence-Spread-Spectrum (DSSS), channel hopping
Antenna	Internal

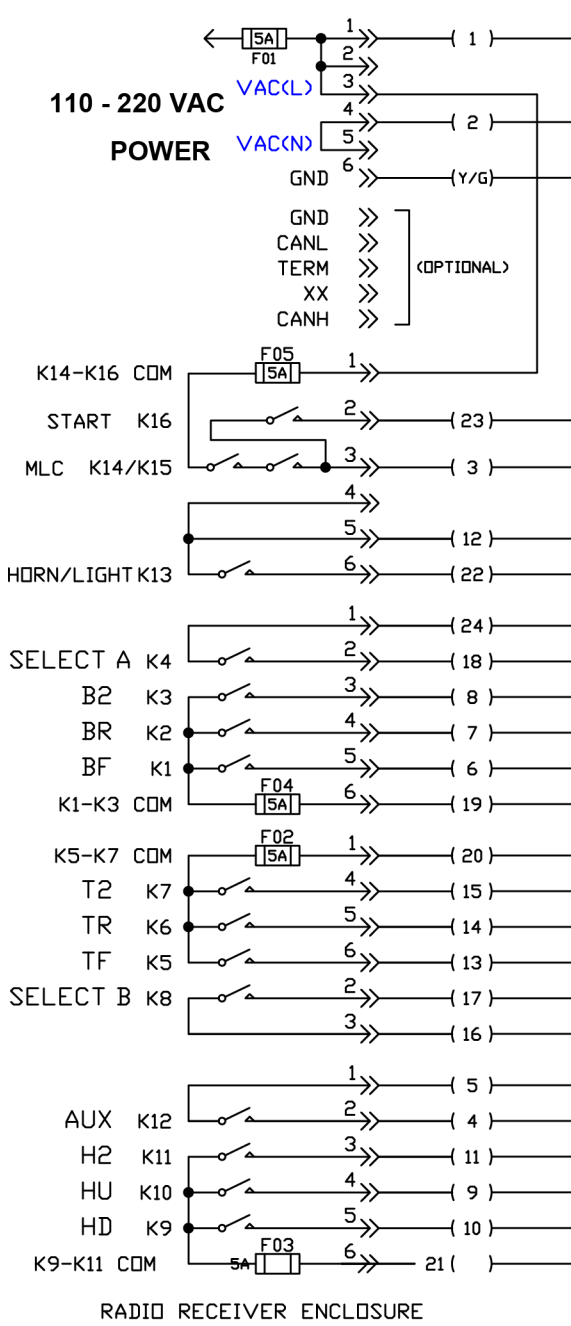
*Tested at 70°C for four hours



Warrior MCB 4-JS Product Listing

Model	Part #	Frequency	RF Power	Mount	Activation
Warrior MCB	MCB-9XL04JS2S	900MHz	100mW	Shoulder Harness	Power Button

Warrior MU Receiver Schematic



Warrior MCB Top Switch Layout

