

## Warrior MCB (3-Joystick Mini Console Box)

### Features

- ✓ Three 2-Step Single Axis Joysticks
- ✓ Two Toggles Switches
- ✓ 900MHz @ 100mW Operation
- ✓ Push/Pull Professional Machine Stop
- ✓ Four System Status/Diagnostic LEDs
- ✓ Operates Using Four AA Alkaline Batteries
- ✓ Mounting by Custom Shoulder Harness



The Warrior MCB Mini Console Box is designed for control of typical 2-speed overhead bridge cranes. The unit provides three two-step joysticks for crane motions as well as toggle switches for A/B select and AUX functions. Housed in an extremely durable, sealed glass-filled nylon enclosure, the Warrior MCB is ready for duty in harsh environments including outdoor applications. Warrior systems operate in the 900MHz FCC License Free radio band. Utilizing Cervis' unique 9X, 100mW output power channel-hopping algorithm, the Warrior systems manages radio traffic with both power and avoidance techniques. This 9X radio is bi-directional, where each message sent by the transmitter is acknowledged back with a message from the receiver. Transmitter diagnostic LEDs provide radio integrity, battery life, A, and B select feedback to the operator.

The Warrior MCB is an industry first, an economical solution for traditional pre-engineered crane control applications. See the specification sheet for the Warrior 32 receiver for control interface schematic.

### Specifications





#### Power

<b>Operating Voltage</b>	2.1V to 3.0VDC
<b>Batteries</b>	Four (4) AA Alkaline
<b>Low V Warning</b>	2.2V
<b>Auto-Shutdown</b>	2.0V
<b>Inactivity Shutdown</b>	4-Minutes Standard (Programmable)

#### Environment

<b>Operating Temp</b>	-40 to +70°C (-40° to +158°F)*
<b>Storage Temp</b>	-40 to +85°C (-40° to 185°F)
<b>Humidity</b>	0 to 95% Non-Condensing

#### Indicators (Red LEDs)

	<b>TX/RX</b>	(Transmit/Receive)
	<b>BATT</b>	(Battery Status)
	<b>A Selection</b>	
	<b>B Selection</b>	

\*Tested at 70°C for four hours



#### Control Switches

<b>Joysticks</b>	Three 2-step single axis (digital)
<b>Toggles</b>	3-position momentary or maintained
<b>M-Stop</b>	Professional pull-up/push-down
<b>Pushbutton</b>	Activation Button (green)

#### Enclosure

<b>Material</b>	Glass filled nylon
<b>Faceplate</b>	Acrylic
<b>Hardware</b>	Stainless steel
<b>Dimensions</b>	inch: 7.09 x 4.15 x 4.61 mm: 180.03 x 105.44 x 117.04
<b>Total Weight</b>	≈2.50 lbs. (1.13kg)

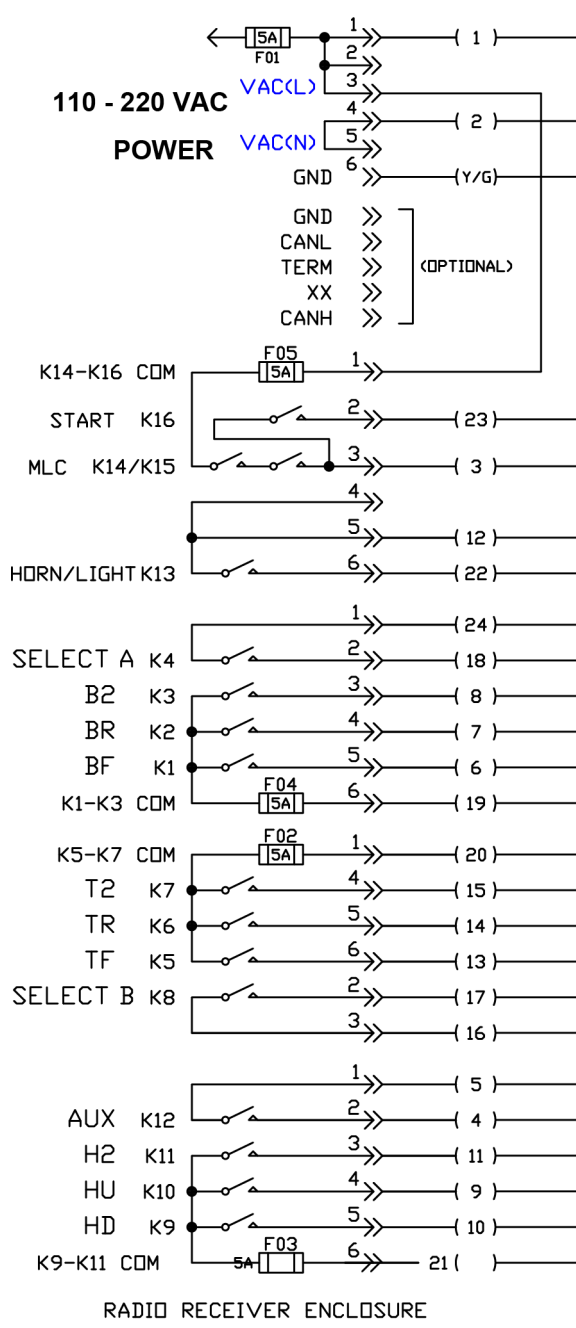
#### Radio

<b>Frequency</b>	904MHz to 926MHz @ 100mW
<b>License</b>	FCC Part 15 license free
<b>Modulation</b>	Direct-Sequence-Spread-Spectrum (DSSS), channel hopping
<b>Antenna</b>	Internal

## Warrior MCB 3-JS Product Listing

Model	Part #	Frequency	RF Power	Mount	Activation
Warrior MCB	MCB-9XL03JS2S	900MHz	100mW	Shoulder Harness	Power Button

## Warrior MU Receiver Schematic



## MCB Top Switch Layout

