

DIN-9H1R5 & DIN-2H1R5 Base Units

For Standard DIN Rail Mounting

Features

- ✓ 900 MHz or 2.4 GHz Spread Spectrum Technology
- ✓ Internal or External Antenna
- ✓ 1 Form C Relay Contact Output, 5 Form A Relay Contact Outputs
- ✓ DIN Enclosure with screw terminal connections
- ✓ Diagnostic LED indicators
- ✓ Compact Design



The SmaRT DIN-9H1R5 and the extended range DIN-2H1R5 base units for industrial control systems feature one Form C relay output that is rated at 10-A max and five Form A relays rated at 5-A max each. The SmaRT base unit enclosure allows it to be mounted either horizontally or vertically on a standard 35 mm DIN rail.

SmaRT base units feature seamless association with a SmaRT handheld remote control unit without the need to open either the base unit or handheld remote casing. Using Channel-Hopping Direct Sequence Spread Spectrum (DSSS) wireless technology at 900 MHz for the DIN-9H1R5—or at 2.4 GHz for the DIN-2H1R5—the base units provide a robust direct-line-of-sight link with a SmaRT handheld remote in congested radio environments.

Specifications

Power

V_{in}	+7–32 VDC
Operating Power	5 W max.

Enclosure

Dimensions	inch: 0.89" W x 3.23" H x 3.90" D
Weight	4 oz.
Durability	Durable UL94V-0 rated ABS plastic

Environment

Operating Temp	–25° C to 60° C (–13° F to 140° F)
Storage Temp	–40° C to 85° C (–40° F to 185° F)
Humidity	0 to 95% non-condensing

Radio

Frequency	906 MHz–924 MHz @ 10 mW 2405 MHz–2480 MHz @ 100 mW
License	License-Free
Modulation	Channel-Hopping DSSS
Antenna	Internal or External (RP-SMA)

Screw Terminals

Size	M3
Screwdriver	Flat or No. 2 Phillips

LEDs

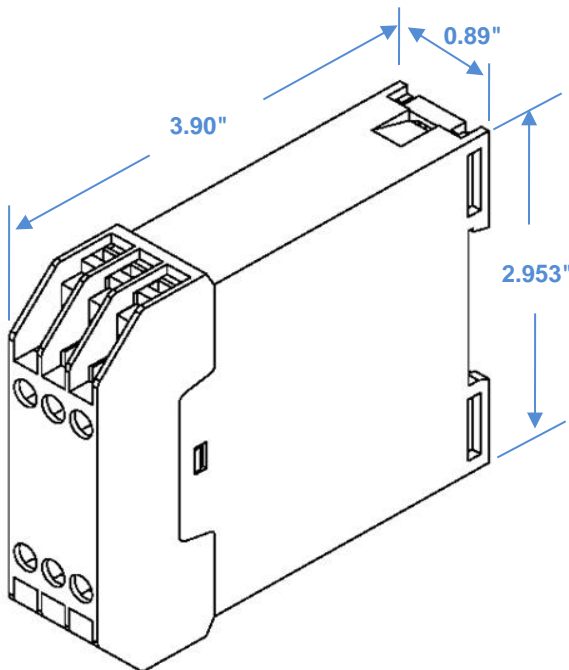
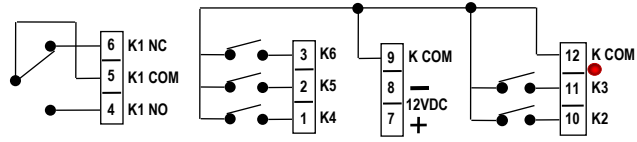
Out	Green	–	Active Output
Health	Green/sec	–	OK
	Red or amber/sec	–	Fault
TX/RX	Green	–	Transmit
	Red	–	Receive
Power	Red	–	OK

Outputs

One	Relay, Form C
Five	Relays, Form A
Form C Rating	10 A max. @ 250 VAC/30 VDC resistive load
Form A Rating	5 A max @ 250 VAC/30 VDC resistive load 2 A max @ 250 VAC/30 VDC inductive load
Total	20 A max. using both wetting terminals

Terminal Wiring

- Terminal 6: K1 Normally Closed
- Terminal 5: K1 Common
- Terminal 4: K1 Normally Open
- Terminal 3: K6
- Terminal 2: K5
- Terminal 1: K4
- Terminal 9: K Common
- Terminal 8: - 12VDC
- Terminal 7: + 12VDC
- Terminal 12: K Common
- Terminal 11: K3
- Terminal 10: K2



DIN-9H1R5-EXT
DIN-2H1R5-EXT



DIN-9H1R5-INT
DIN-2H1R5-INT

Options

Model	Freq.	RF Power	Outputs	Output Type	Antenna Type
DIN-9H1R5-INT-LVD	900 MHz	10 mW	6	1 Form C, 5 Form A	Internal
DIN-9H1R5-EXT-LVD	900 MHz	10 mW	6	1 Form C, 5 Form A	External
DIN-2H1R5-INT-LVD	2.4 GHz	100 mW	6	1 Form C, 5 Form A	Internal
DIN-2H1R5-EXT-LVD	2.4 GHz	100 mW	6	1 Form C, 5 Form A	External