

## DIN-9H4R-2DI Base Unit

For Standard DIN Rail Mounting

### Features

- ✓ Spread Spectrum Technology
- ✓ 4 Form A Relay Contact Outputs
- ✓ 2 Discrete Inputs
- ✓ CAN J1939 Connectivity
- ✓ DIN Enclosure with screw terminal connections
- ✓ Diagnostic LED indicators
- ✓ Compact design



The SmaRT DIN-9H4R-2DI Base Unit for 24 VDC (–24 V option) or 120/240 VAC (–120 V option) industrial control systems features four Form A relays rated at 5-A max each and two discrete inputs. The SmaRT base unit enclosure allows it to be mounted either horizontally or vertically on a standard 35 mm DIN rail.

SmaRT base units feature seamless association with a SmaRT handheld unit without the need to open the case. Using Channel-Hopping Direct Sequence Spread Spectrum (DSSS) wireless technology at 900 MHz, the base unit provides a robust direct-line-of-sight link with a SmaRT handheld remote in congested radio environments.

### Specifications

#### Power

**V<sub>in</sub>** 18–32 VDC (–24 V option)  
85–220 VAC (–120 V option)

**Operating Power** 5 W max.

#### Enclosure

**Dimensions** inch: 1.72 W x 3.23 H x 3.91 D  
mm: 44.61 W x 82.04 H x 99.21 D

**Weight** 4 oz. (113.4 grams)

**Durability** Durable UL94V-0 rated ABS plastic

#### Environment

**Operating Temp** –25° C to 60° C  
(–13° F to 140° F)

**Storage Temp** –40° C to 85° C  
(–40° F to 185° F)

**Humidity** 0 to 95% non-condensing

#### Radio

**Frequency** 906–924 MHz

**RF Power** 10 mW

**License** License-Free

**Modulation** Channel-Hopping DSSS

**Antenna** External (RP-SMA)

#### Screw Terminals

**Size** M3

**Screwdriver** Flat or Phillips

#### LEDs

<b>CAN TX/RX</b>	Green	–	Transmit
	Red	–	Receive
<b>In/Out</b>	Green	–	Active Output
	Red	–	Active Input
<b>Health</b>	Green/sec	–	OK
	Red or amber/sec	–	Fault
<b>TX/RX</b>	Green	–	Transmit
	Red	–	Receive
<b>Power</b>	Amber	–	OK
	Red/Green	–	Fault

#### Outputs

**Four Relays** Form A

**Form A Rating** 2 A max @ 250 VAC/30 VDC inductive load.  
5 A max resistive load.

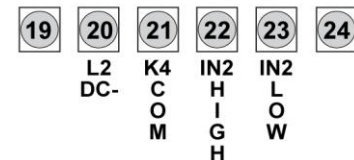
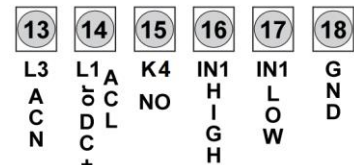
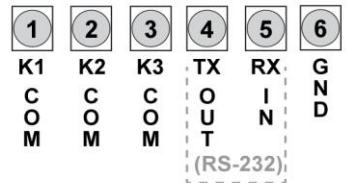
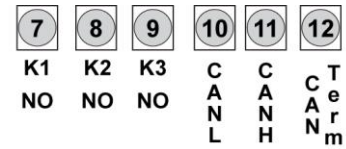
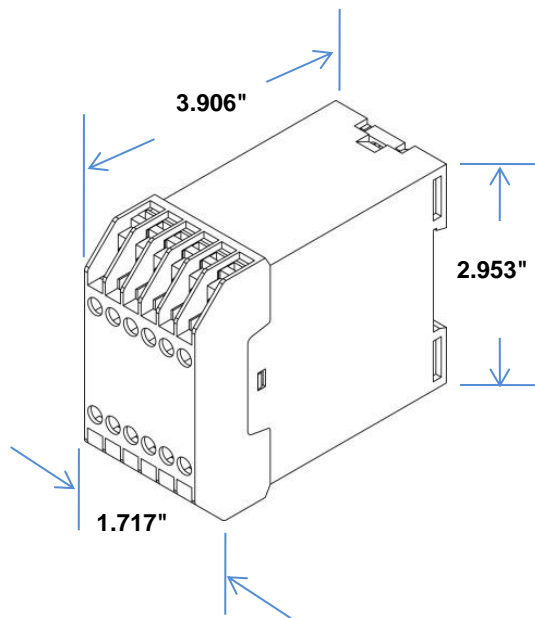
**Total** 10 A max.

#### Inputs

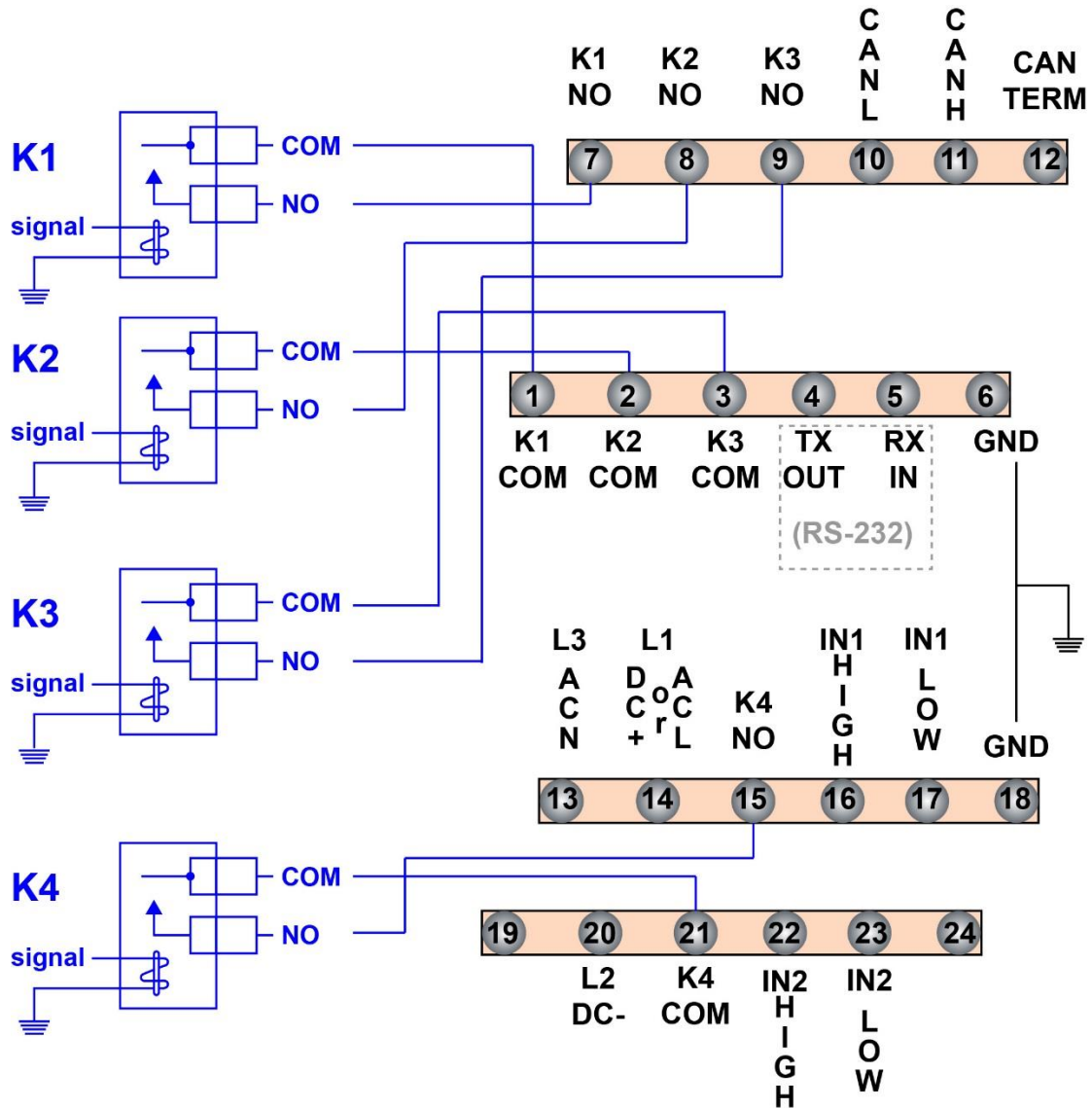
**Two** 2-terminal isolated  
18–32 VDC (–24 V option)  
85–220 VAC (–120 V option)

## Terminal Wiring

Terminal	Description	Terminal	Description
1	K1 Common	13	L3 (AC N)
2	K2 Common	14	L1 (AC L or DC+)
3	K3 Common	15	K4 Normally Open
4	TX Out (RS-232)	16	Input 1 High
5	RX In (RS-232)	17	Input 1 Low
6	Gnd	18	Gnd
7	K1 Normally Open	19	No Connection
8	K2 Normally Open	20	L2 (DC-)
9	K3 Normally Open	21	K4 Common
10	CANL	22	Input 2 High
11	CANH	23	Input 2 Low
12	CAN-Term	24	No Connection



## Terminal Wiring Cont.



## Options

Model	Freq.	RF Power	Outputs	Output Type	Inputs	Input Range	Input Voltage	Antenna Type
DIN-9H4R-2DI-EXT-24V	900 MHz	10 mW	4	Form A	2	18-32 VDC	18-32 VDC	External
DIN-9H4R-2DI-EXT-120	900 MHz	10 mW	4	Form A	2	85-220 VAC	85-220 VAC	External

✓ **Note:** BU-9H4R-EXT units are internally terminated at 4.3 kΩ. Termination can be removed at the factory.