

# PG-X14 SERIES

## SMART PISTOL GRIP REMOTE

**900MHz @ 10mW / 2.4GHz @ 100mW**

Channel-Hopping DSSS ■ FCC &amp; Industry Canada License-Free ■ Internal Antenna

### POWER

**OPERATING VOLTAGE**

+1.6 – +3.2 VDC

**BATTERIES**

FOUR AA ALKALINE

**BATTERY LIFE**

PG-X14: &gt;100 HRS

PG-X14 OLED, SCREEN SAVER: &gt;70 HRS

PG-X14 OLED, SCREEN ALWAYS ON: &gt;40 HRS

**LOW BATTERY SHUTDOWN**

1.6 VDC AND BELOW

**AUTO-SHUTDOWN**

FOUR MINUTES OF BUTTON INACTIVITY

(STANDARD)

### LED INDICATORS

- **TX** – FLASHING – TRANSMITTING,  
NO ACTIVE SWITCH  
SOLID – TRANSMITTING,  
ACTIVE SWITCH
- **RX** – FLASHING – RECEIVING,  
NO ACTIVE OUTPUT  
SOLID – RECEIVING,  
OUTPUT OF INTEREST ACTIVE
- **ERR** – SOLID – ERROR DETECTED
- **BATT** – FLASHING – LOW BATTERY

### CONTROLS

**TOGGLES**

SEVEN; THREE POSITION, CENTER-DETENT

PUSH-TO-OPERATE SWITCHES, MOMENTARY OR LATCH

**TRIGGER**ONE; PROPORTIONAL CONTROLLER,  
FUNCTION ENABLE, OR DIGITAL OUTPUT**M-STOP**ONE; ONE MUSHROOM-STYLE,  
SPRING-LOADED TWO-POSITION

### ENVIRONMENT

**OPERATING TEMPERATURE**

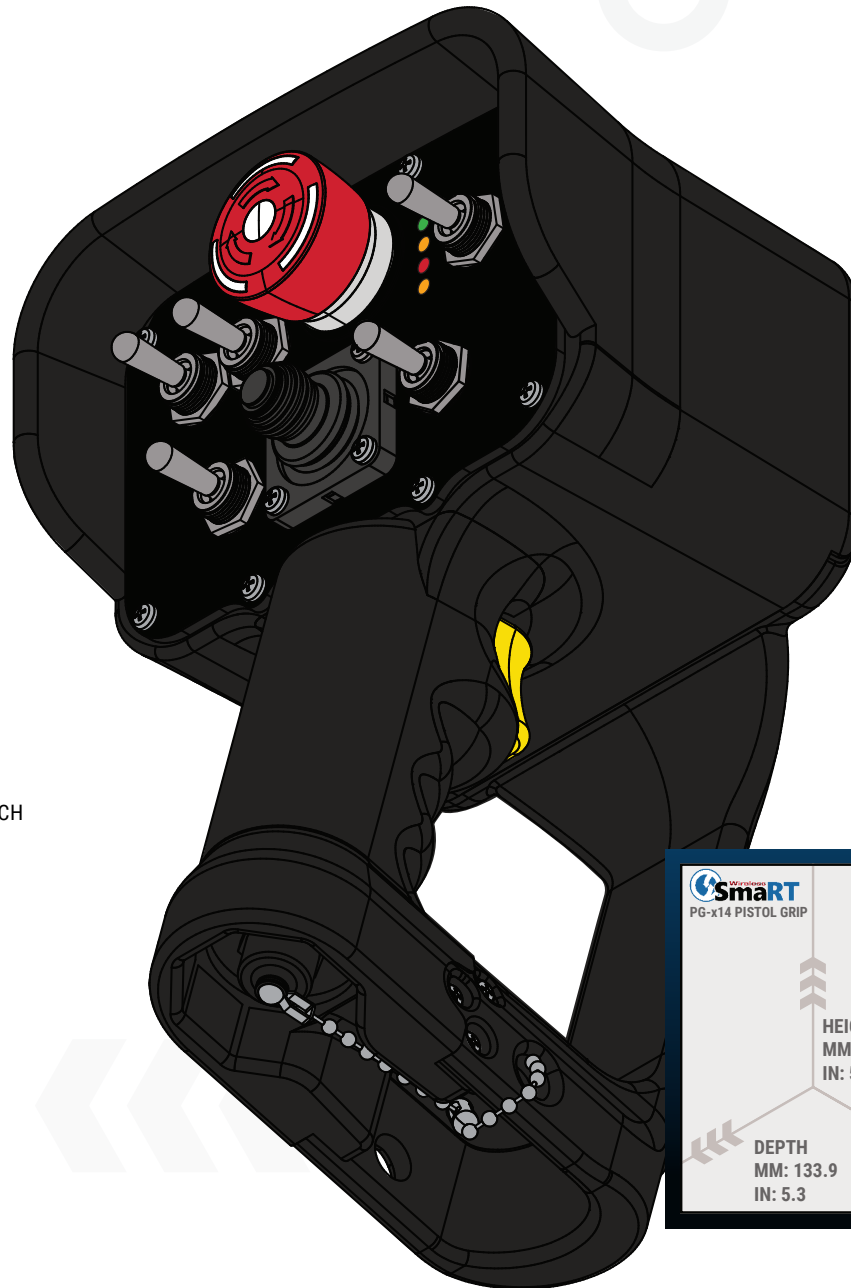
-4°F TO 131°F (-20°C TO 55°C)




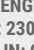

**STORAGE TEMPERATURE**

-40°F TO 131°F (-40°C TO 55°C)

**HUMIDITY**

0 TO 100%



 PG-x14 PISTOL GRIP	 <b>WEIGHT</b> KG: 1.36 LB: 3.0
 <b>HEIGHT</b> MM: 146.9 IN: 5.8	 <b>LENGTH</b> MM: 230.6 IN: 9.1
 <b>DEPTH</b> MM: 133.9 IN: 5.3	