



Console Box Application Tool

M021.0.0

Customer Name:			
Contact Name:			
Email:		Phone:	
Application Description / Machine Type:			
Date of Submission:		Revision:	



Thank you for considering Cervis, Inc. We look forward to working with you in your application.

This tool is designed as a pre-sale document to aid in the communication and documentation of the application. The information presented in this document will be used for quoting purposes. Therefore, we recommend you provide as much detail as possible so that the following proposal reflects the total requirements as closely as possible. Should any questions arise during use of this document, please contact the Cervis, Inc. sales department at 724-741-9000. Thank you for considering Cervis, Inc. We look forward to working with you in your application.

Application Description

Describe application including environment of operation:

Console Box Design

The **Warrior Wireless** console box (CB) is available in multiple configurations derived from two standard physical layouts. Minor adjustments to the layouts can be accommodated. Major layout requests will be quoted based upon the supporting business case.

Standard Layout Choices

CB Options

- Variable potentiometer option (sacrifices toggle switch positions)
- Eight-character LED alphanumeric display (may sacrifice toggle switch positions)



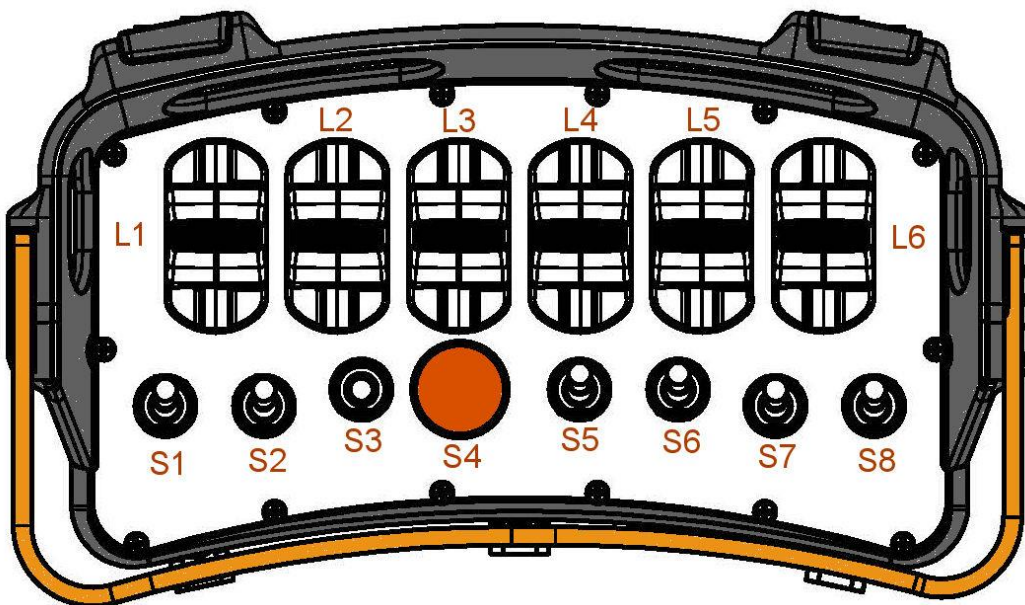
Display Example

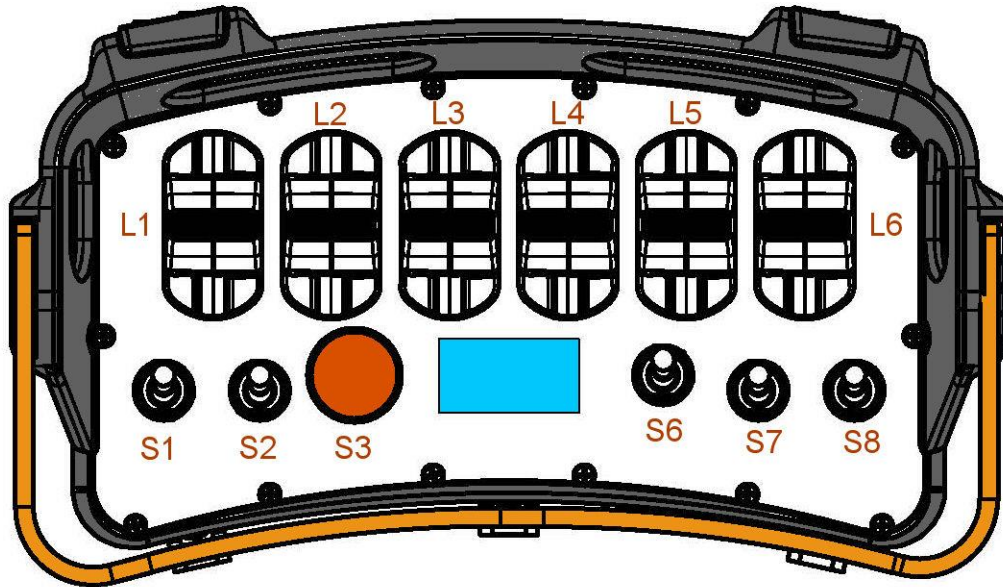
- Rechargeable battery and kit.

Describe desired display usage:

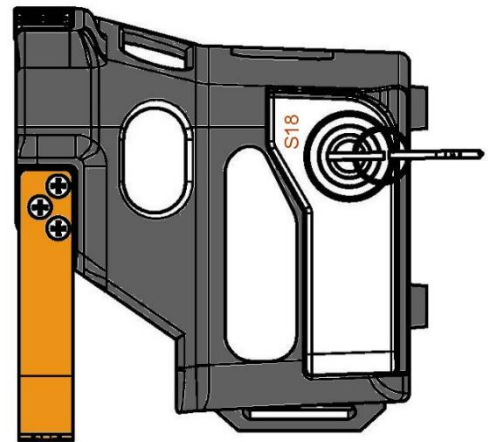
Console Box Design

CB-X0XLV





Left Side



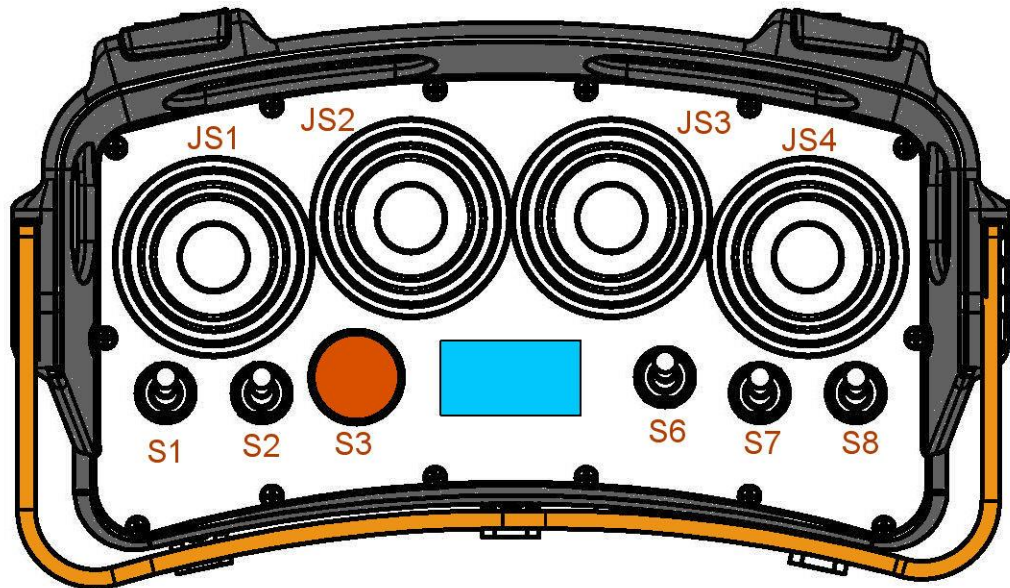
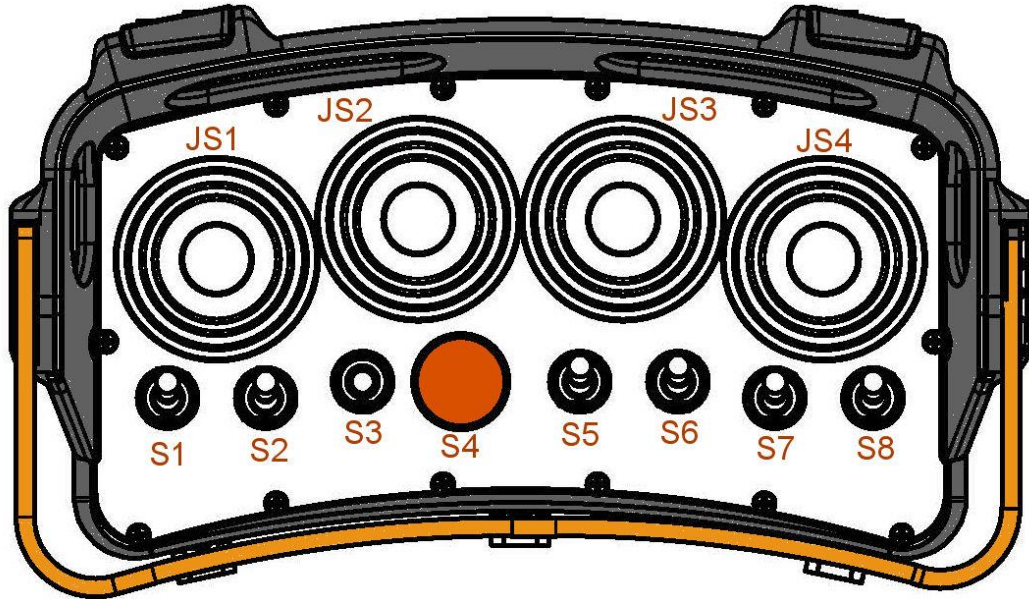
Right Side

?	FUNCTION	SWITCH TYPE	CUSTOM LOGIC
S1 +			
S1 -			
S2 +			
S2 -			
S3 +			
S3 -			
S4 +			
S4 -			
S5 +			

?	FUNCTION	SWITCH TYPE	CUSTOM LOGIC
S5 –			
S6 +			
S6 –			
S7 +			
S7 –			
S8 +			
S8 –			
S12	HORN/START	PB	
S13 +	NEXT/ASSOCIATION	3PM	
S13 –	MAINTENANCE MODE	3PM	
S14 +	SELECT/ASSOCIATION	3PM	
S14 –	MAINTENANCE MODE	3PM	
S18 +	OFF	KEY	
S18 –	ON	KEY	
L1 +			
L1 –			
L2 +			
L2 –			
L3 +			
L3 –			
L4 +			
L4 –			
L5 +			
L5 –			
L6 +			
L6 –			

Describe any special requirements:

CB-X0XJS





Left Side



Right Side

?	FUNCTION	SWITCH TYPE	CUSTOM LOGIC
S1 +			
S1 -			
S2 +			
S2 -			
S3 +			
S3 -			
S4 +			
S4 -			
S5 +			
S5 -			
S6 +			
S6 -			
S7 +			
S7 -			
S8 +			
S8 -			
S12	CB ON/OFF	PB	
S13 +	SELECT/ASSOCIATION	3PM	
S13 -	MAINTENANCE MODE	3PM	
S14 +	NEXT/ASSOCIATION	3PM	
S14 -	MAINTENANCE MODE	3PM	
S18 +	OFF	KEY	
S18 -	ON	KEY	
JS1 Y+			
JS1 Y-			
JS1 X+			
JS1 X-			

?	FUNCTION	SWITCH TYPE	CUSTOM LOGIC
JS2 Y+			
JS2 Y-			
JS2 X+			
JS2 X-			
JS3 Y+			
JS3 Y-			
JS3 X+			
JS3 X-			
JS4 Y+			
JS4 Y-			
JS4 X+			
JS4 X-			

Describe any special requirements:

CB Software Feature

Handheld Inactivity Timeout

4 Minutes

10 Minutes

Other _____ Minutes

None

CB/Receiver Software Requirements

Component Architecture

Describe any special requirements:

Receiver Antenna Options

External Antenna (If not selected, internal antenna will be used.)



Panel Mount Bulkhead



Straight Connector



Right Angle Connector



900Mz Antenna
7 inch length
Right Angle/Straight

Receiver Power Supply

Describe power supply type:

Receiver Output Requirements

- Normally Open Quantity: ____
- Normally Closed Quantity: ____
- Latching Quantity: ____
- Analog Output: 0–10V Quantity: ____
- Other Quantity: ____
- Analog Input: Type Quantity: ____

Describe Receiver Outputs

Receiver Mounting

- Outside Environment
- Inside Environment
- Inside other enclosure

Customer Approval
