

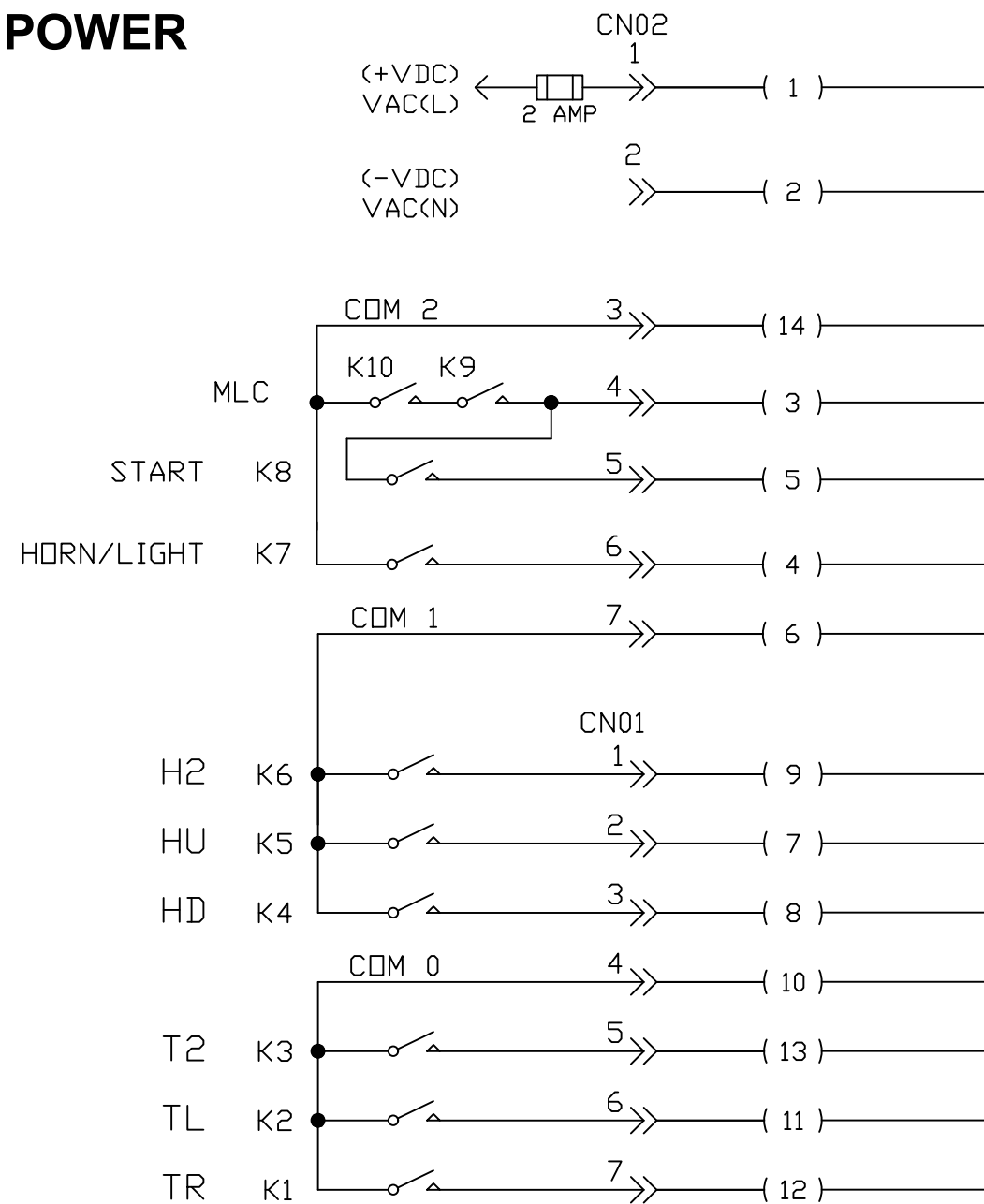
RADIO RECEIVER ENCLOSURE

# 110 -220 VAC POWER

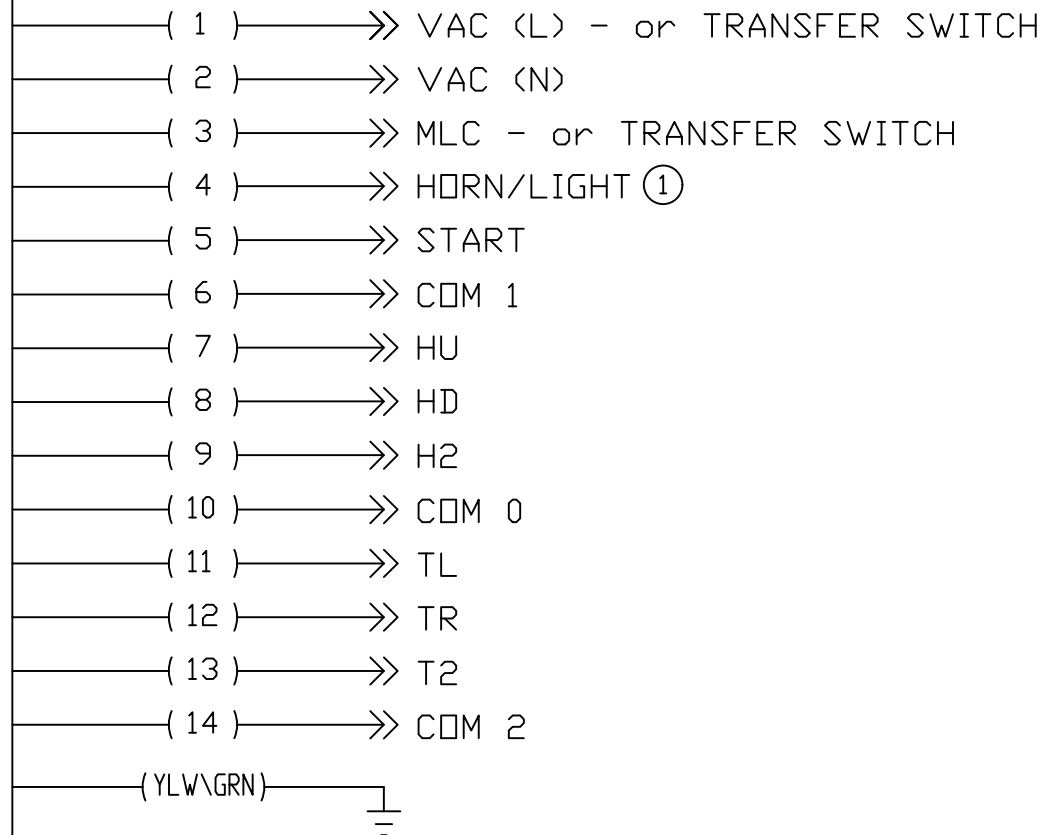
CONTROL CABLE  
6 FEET MAX

CONTACT RATINGS:

"MLC" RELAY: 8 AMPS @ 250 VAC  
CONTROL RELAYS: 5 AMPS @ 250 VAC



## PIGTAIL WIRING DESIGNATION



① K7 WIRE (4) MUST BE WIRED TO THE CRANES WARNING DEVICE FOR PROPER OPERATOR WARNING AND ANNUNCIATION DURING THE TX ASSOCIATION PROCESS.

-- REVISIONS --

NO.	DATE	DESCRIPTION
0-0	04.30.18	DRAWING ISSUED FOR PRODUCTION.
1-0	05.14.20	DRAWINGS UPDATED TO LATEST STANDARD. -GFM
2-0	04.12.21	ASSOCIATION PROCEDURE, MODEL NUMBERS UPDATED. -ECJ
3-0	07.29.22	UPDATED DRAWING TO LATEST STANDARD. -GFM

## WARRIOR 22-2-HVA

CUSTOMER: CERVIS, INC.

DESCRIPTION: MU-9X9-HVA RX WITH PRE-WIRED PIGTAIL

ASSEMBLY #17002501

DRAWN: ECJ

ENGINEER: GFM

SCALE: N/A

SHEET: 1 OF 4

SIZE:  
B

DWG NO.

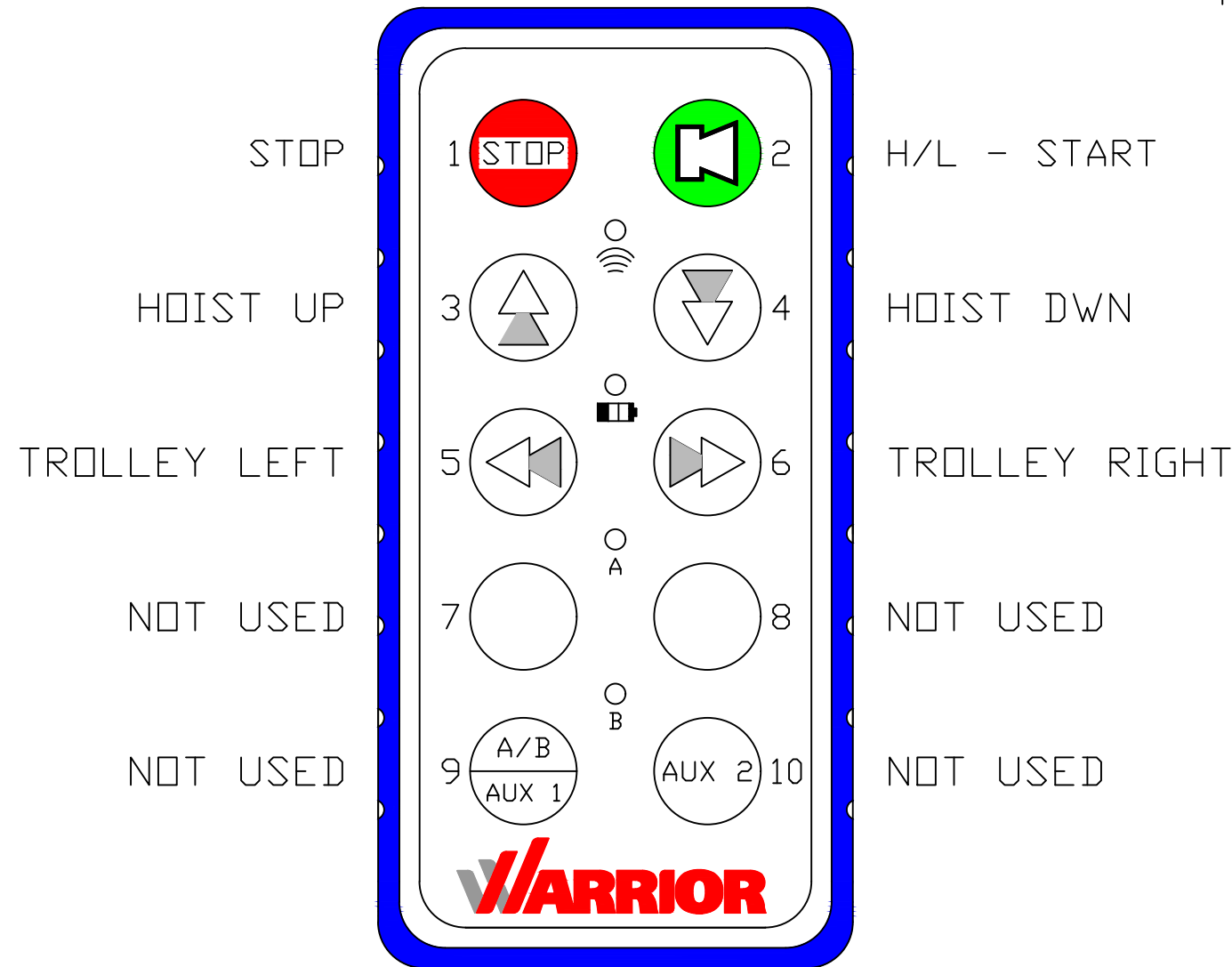
#A100008

REV:

3-0

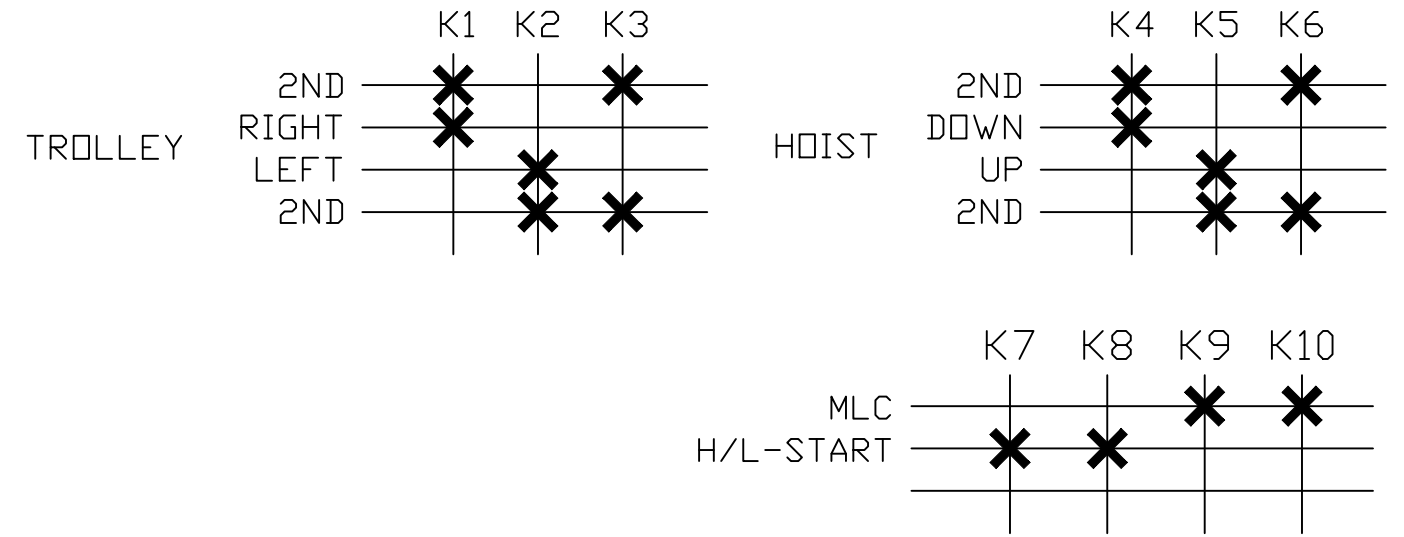


# HH2S-9XW08



1. TX TIMEOUT = 10 MINUTES
2. B1 - B10 ARE 2-STEP PUSHBUTTONS
3. B9/B10 ARE USED FOR ASSOCIATION

LED 1 = RADIO TX/RX  
 LED 2 = BATT  
 LED 3 = N/A  
 LED 4 = N/A



### START PROCEDURE:

1. PRESS B1 (STOP) TO "WAKE" HH.
  2. PRESS B2 (H/L - START) TO ENERGIZE THE "MLC" RELAY.
- STOP:

1. PRESS B1 (STOP) TO DE-ENERGIZE "MLC" RELAY & ALL OTHER OUTPUTS.

### PROGRAMMING NOTES:

1. FIRST COME - FIRST SERVE SOFTWARE.

### ASSOCIATION PROCEDURE

1. PRESS THE STOP PB.
2. WHILE LED B IS ON PRESS B9 & B10 SIMULTANEOUSLY.
3. WHILE LED'S ARE SCROLLING: PRESS B3 & B4 SIMULTANEOUSLY  
(HOLD FOR 5 SEC'S)  
LED A WILL START TO BLINK INDICATING ASSOCIATION MODE.
4. USE B9 TO SEARCH FOR THE TARGET RX.
5. USE B10 TO SELECT THE TARGET RX.
6. ID CLEAR (WHILE IN MM): PRESS AND HOLD B9 & B10  
SIMULTANEOUSLY - PRESS B1 (STOP)

CUSTOMER: CERVIS, INC.

DESCRIPTION: HH2S-9XW08 PROGRAMMING DETAILS

ASSEMBLY #15100551

DRAWN: ECJ

ENGINEER: GFM

SCALE: N/A

SHEET: 2 OF 4

SIZE: B

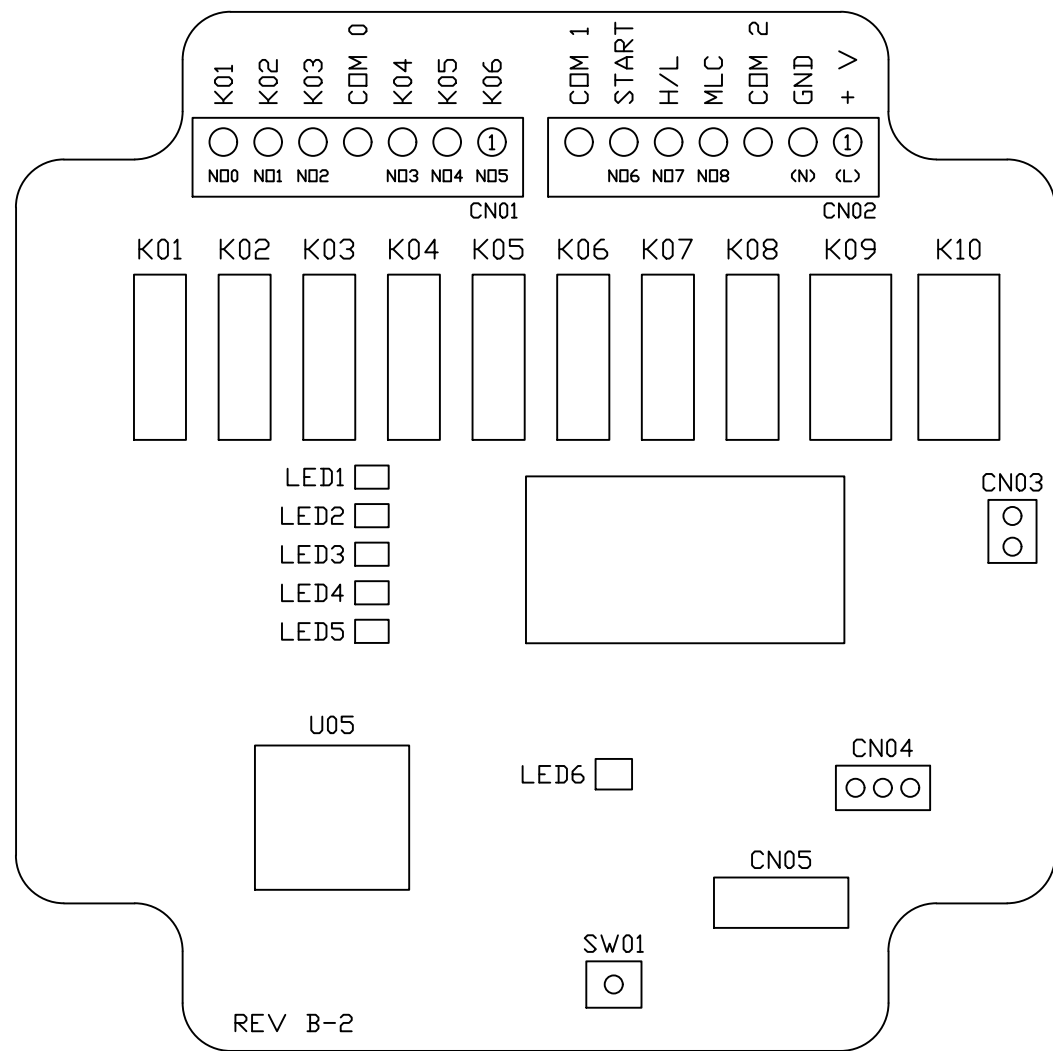
DWG NO.

#A100008

REV:

3 - 0

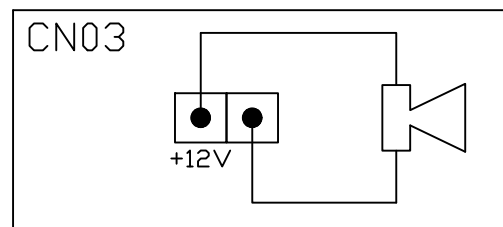




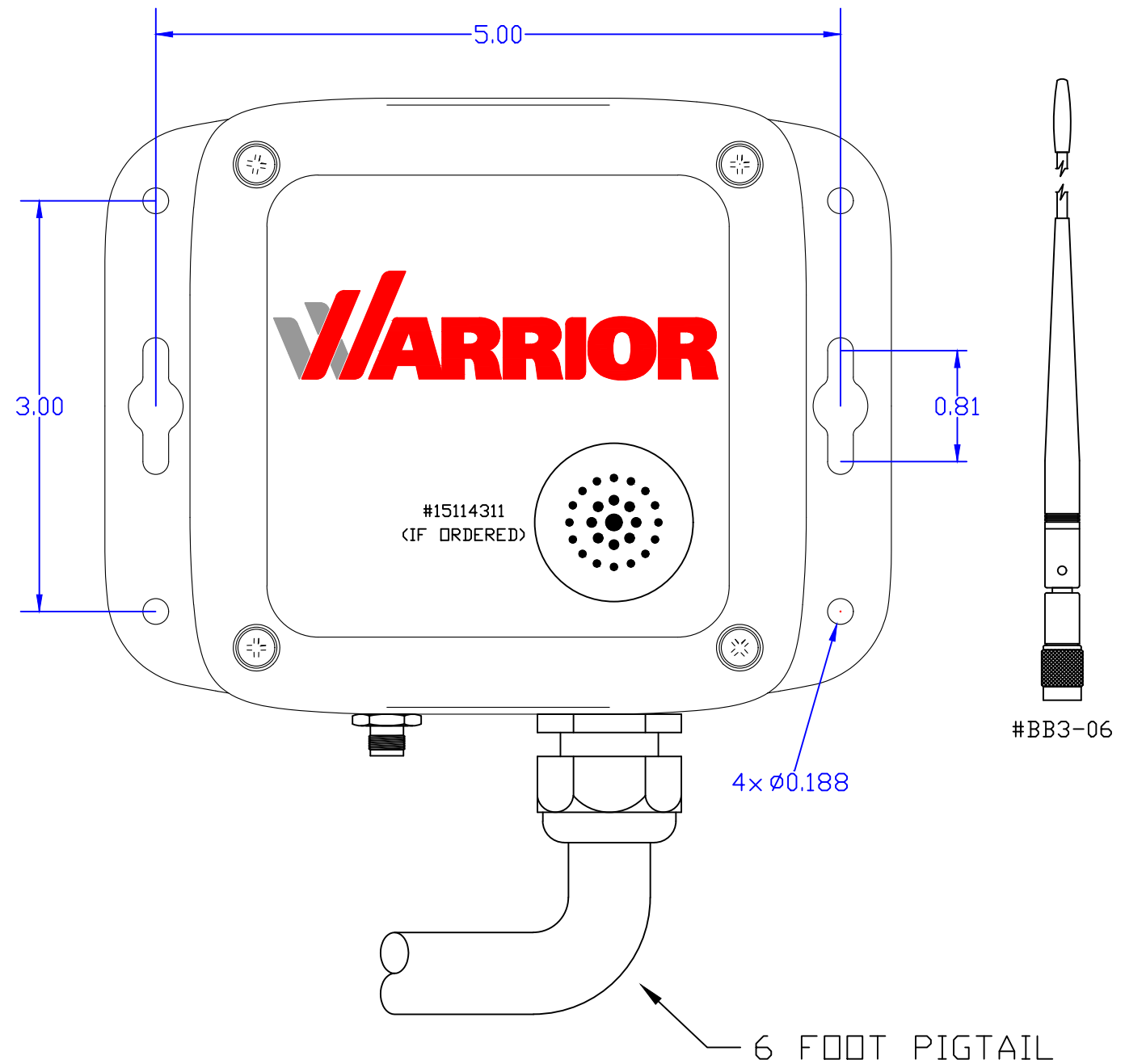
**MU-9X9**  
"PCB LAYOUT"

DIAGNOSTIC LED'S:

LED 1	HEARTBEAT
LED 2	TX
LED 3	RX
LED 4	OUTPUT
LED 5	12 VDC
LED 6	STROBE



\*\* BUZZER-MOUNTS TO LID  
#15114311 (OPTIONAL)

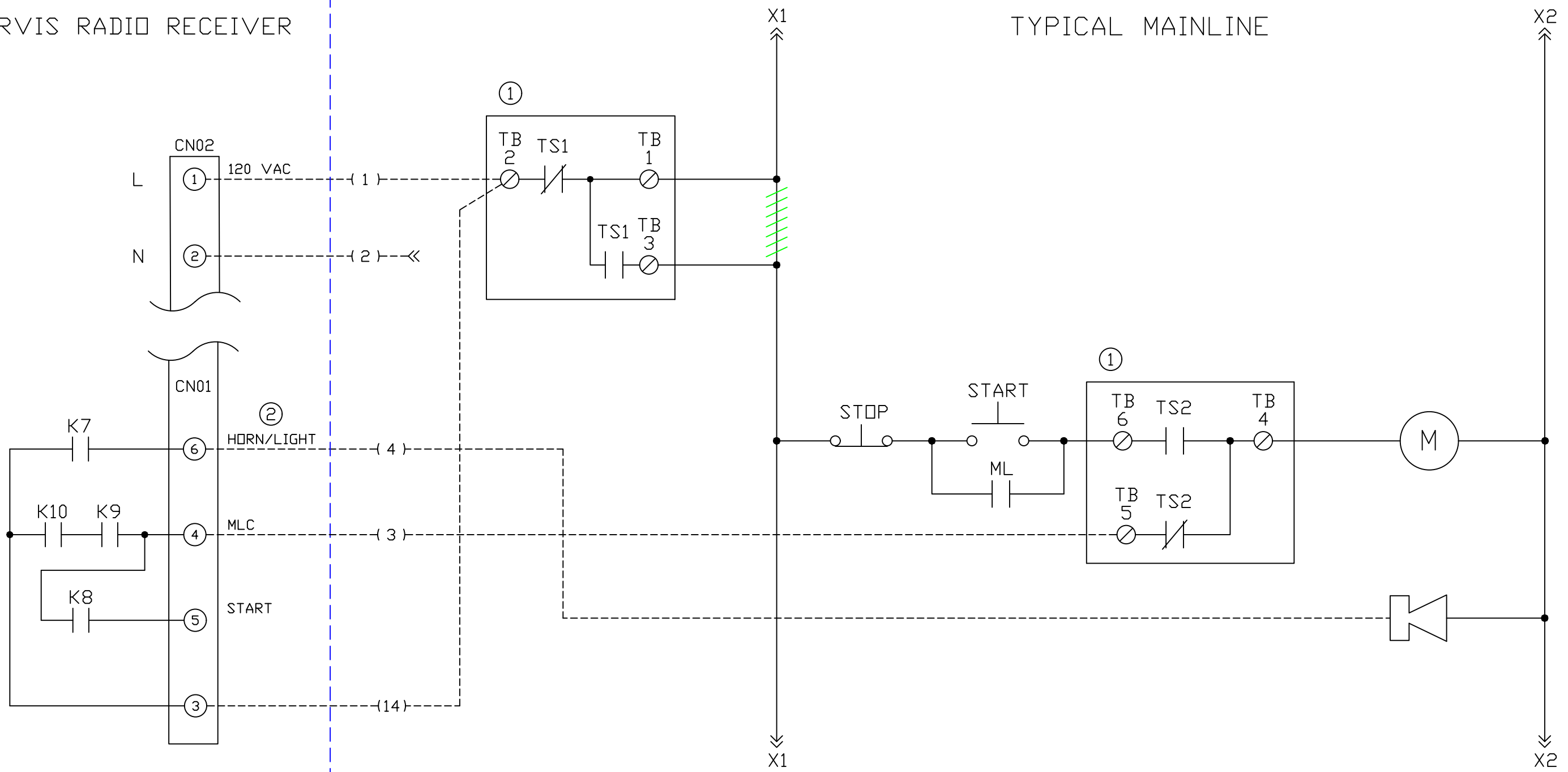


\*\* ASSOCIATION IS OPEN FOR 2-MINUTES AFTER  
THE RX IS POWERED ON.

CUSTOMER: CERVIS, INC.					
DESCRIPTION: BOARD/ENCLOSURE DETAILS					
DRAWN: ECJ	SCALE: N/A	SHEET: 3 OF 4	SIZE: B	DWG NO. #A100008	REV: 3-0
ENGINEER: GFM					

CERVIS RADIO RECEIVER

TYPICAL MAINLINE



- ① TRANSFER SWITCH SHOWN IN "RADIO" MODE - FOR REFERENCE ONLY. TRANSFER SWITCH IS SUPPLIED BY CUSTOMER.
- ② TYPICAL WIRING OF THE HORN/LIGHT (ASSOCIATION) RELAY. FOR PROPER OPERATOR WARNING AND ANNUNCIATION DURING THE TX ASSOCIATION PROCESS.

CUSTOMER: CERVIS, INC.					
DESCRIPTION: TYPICAL MAINLINE INTERFACE					
DRAWN: ECJ	SCALE: N/A	SHEET: 4 OF 4	SIZE: B	DWG NO. #A100008	REV: 3 - 0
ENGINEER: GFM					